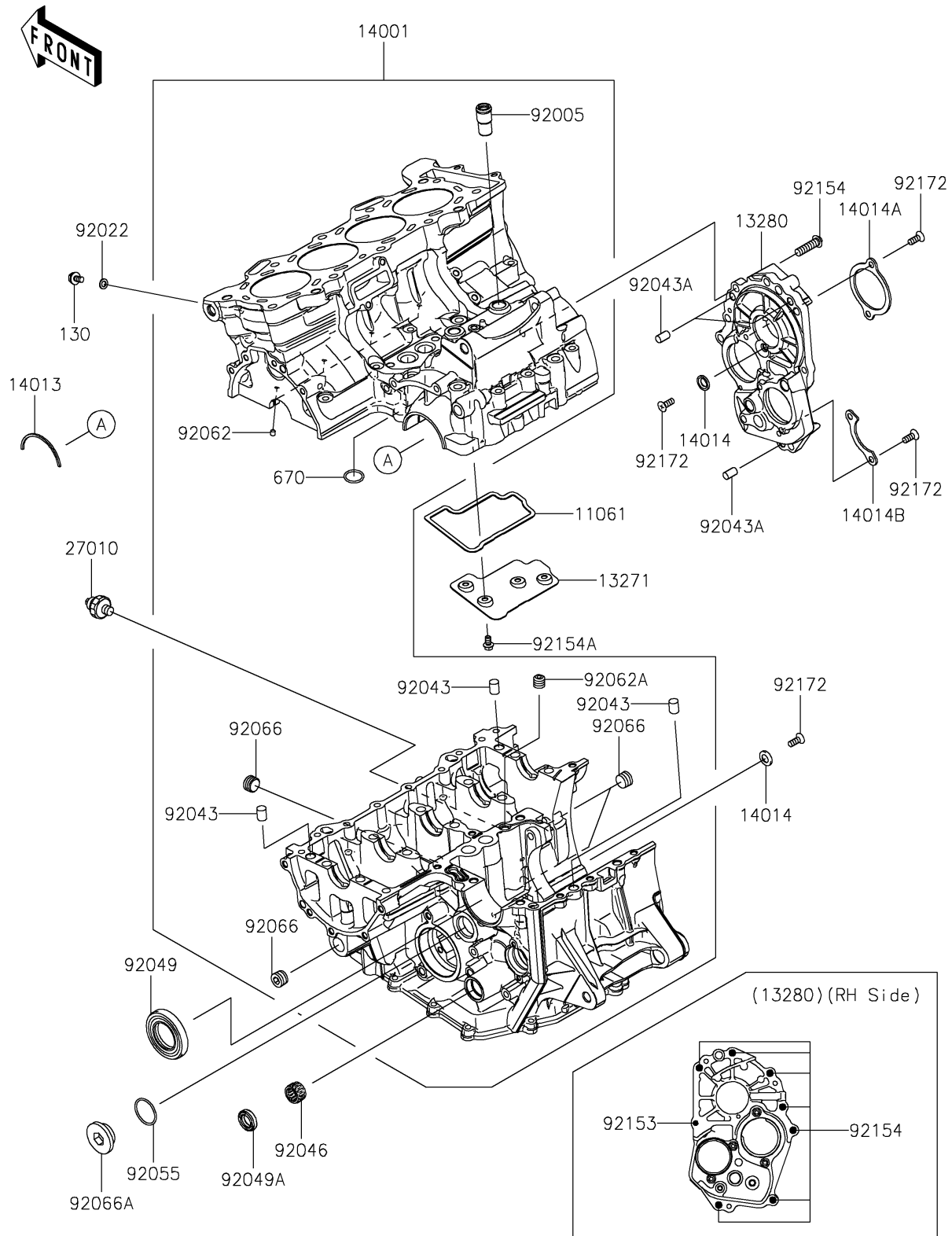


# 2022 NINJA® ZX™-6R

## PARTS DIAGRAM

### Crankcase

E1411



# 2022 NINJA<sup>®</sup> ZX<sup>™</sup>-6R

## PARTS LIST

### Crankcase

**ITEM NAME**

**PART NUMBER**

**QUANTITY**

---