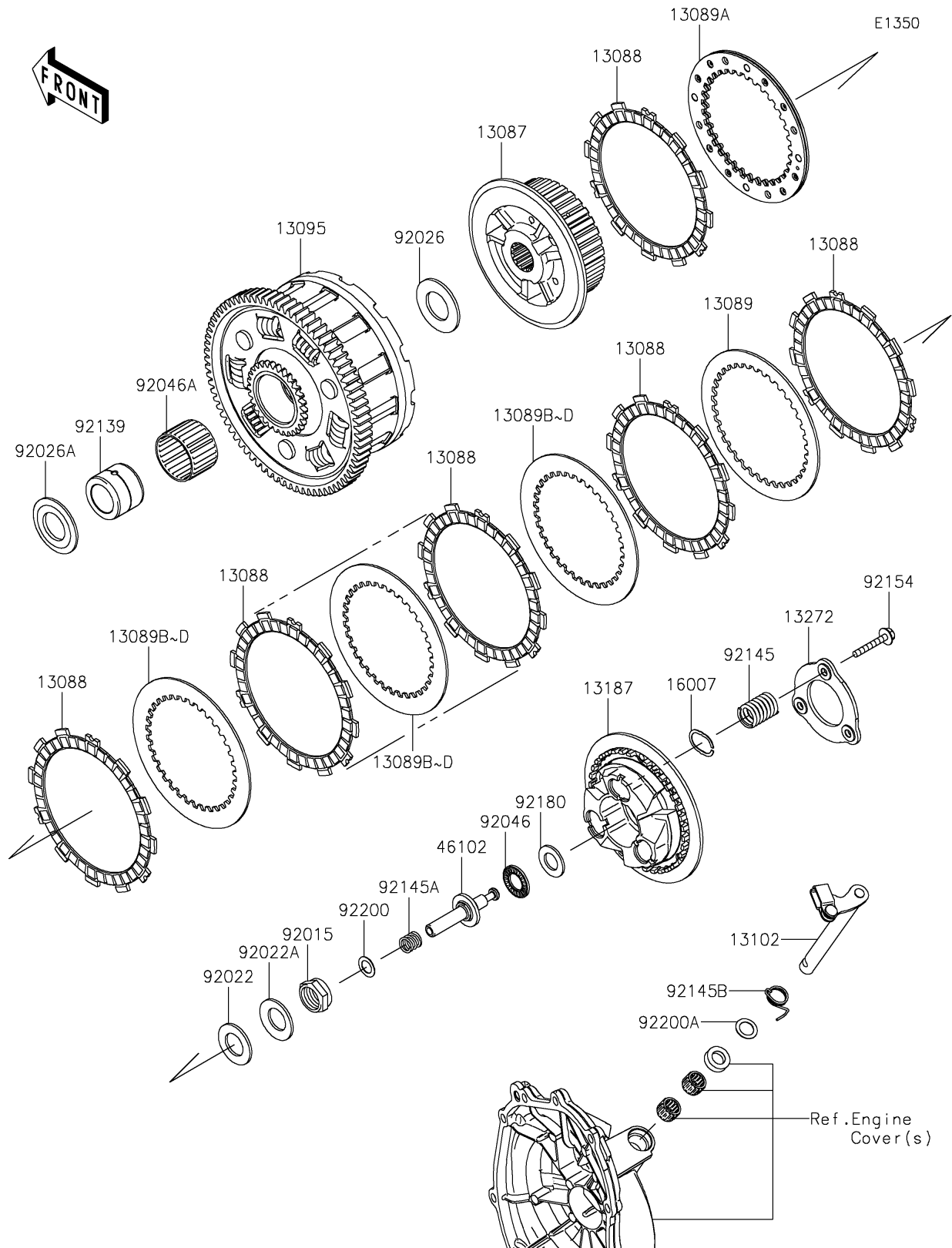


# 2023 NINJA® ZX™-6R

## PARTS DIAGRAM

### Clutch



# 2023 NINJA<sup>®</sup> ZX<sup>™</sup>-6R

## PARTS LIST

### Clutch

**ITEM NAME**

**PART NUMBER**

**QUANTITY**

---