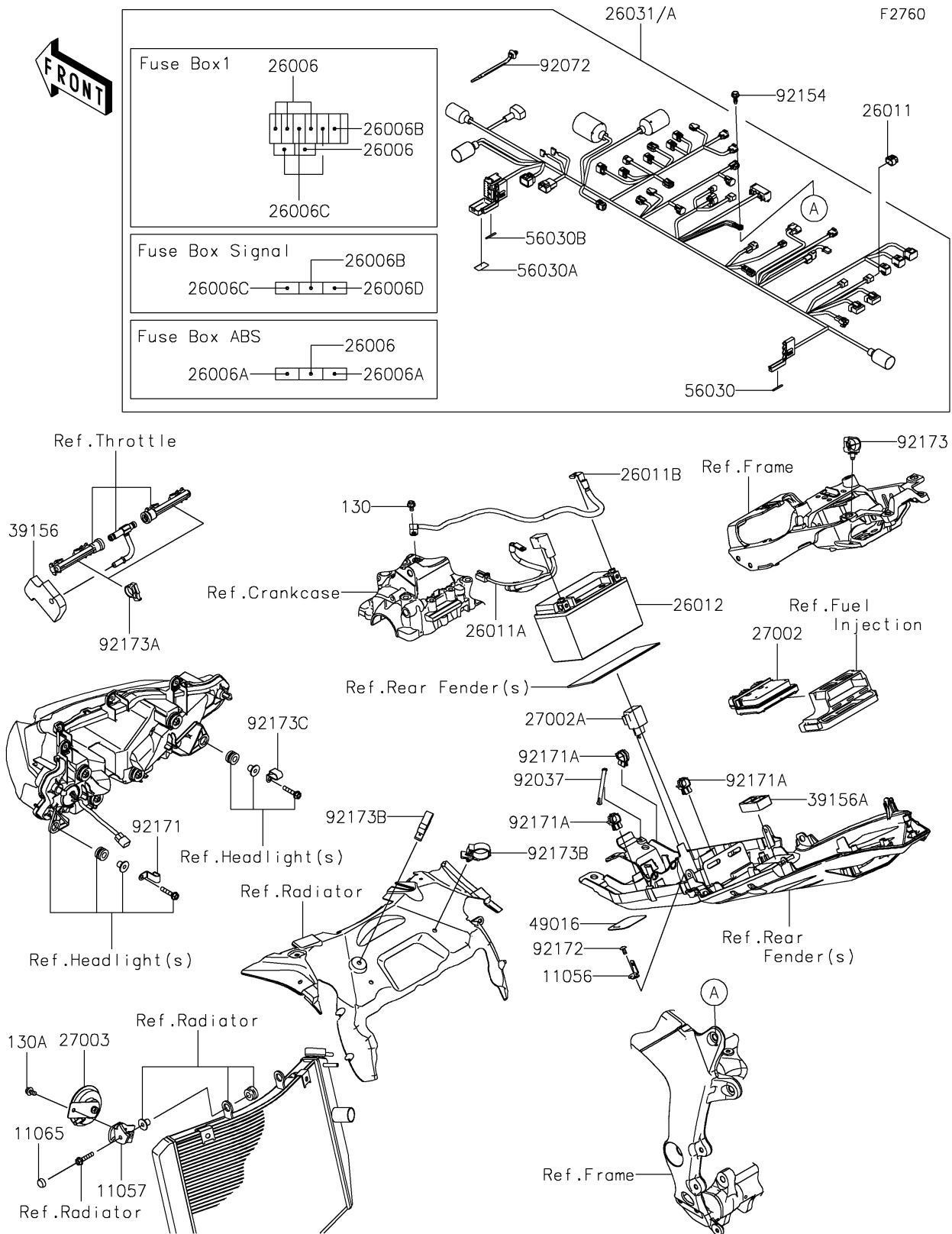


2021 NINJA® ZX™-6R KRT EDITION

PARTS DIAGRAM

Chassis Electrical Equipment



2021 NINJA® ZX™-6R KRT EDITION



PARTS LIST

Chassis Electrical Equipment

ITEM NAME	PART NUMBER	QUANTITY
-----------	-------------	----------
