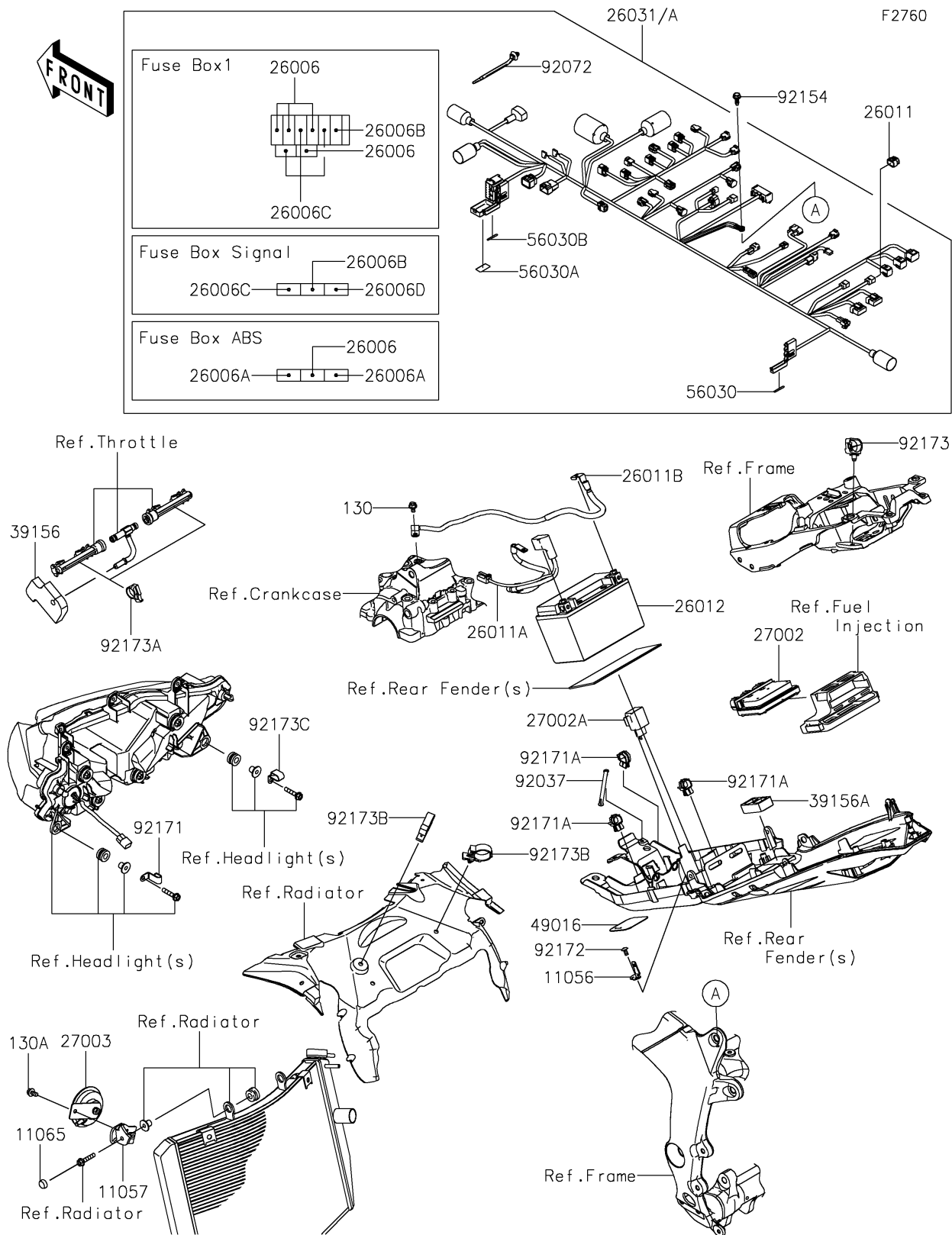


2021 Ninja® ZX™-6R ABS KRT Edition

PARTS DIAGRAM

Chassis Electrical Equipment



2021 Ninja® ZX™ -6R ABS KRT Edition

Kawasaki
Let the Good Times Roll®

PARTS LIST

Chassis Electrical Equipment

| ITEM NAME | PART NUMBER | QUANTITY |
|-----------|-------------|----------|
|-----------|-------------|----------|
