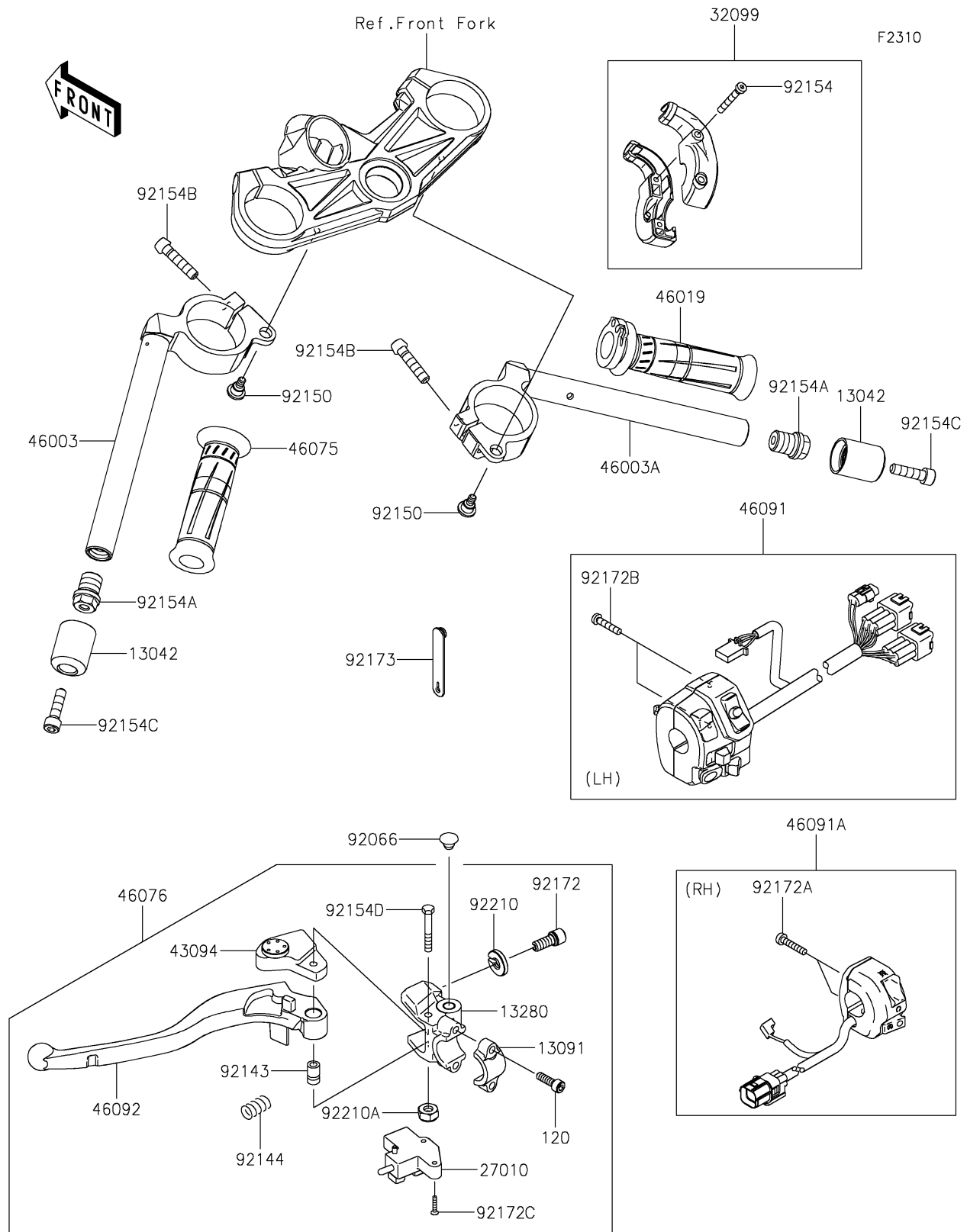


# 2021 NINJA<sup>®</sup> ZX<sup>™</sup>-6R KRT EDITION

## PARTS DIAGRAM

### Handlebar



# 2021 NINJA® ZX™ -6R KRT EDITION



## PARTS LIST

### Handlebar

ITEM NAME	PART NUMBER	QUANTITY
-----------	-------------	----------

---