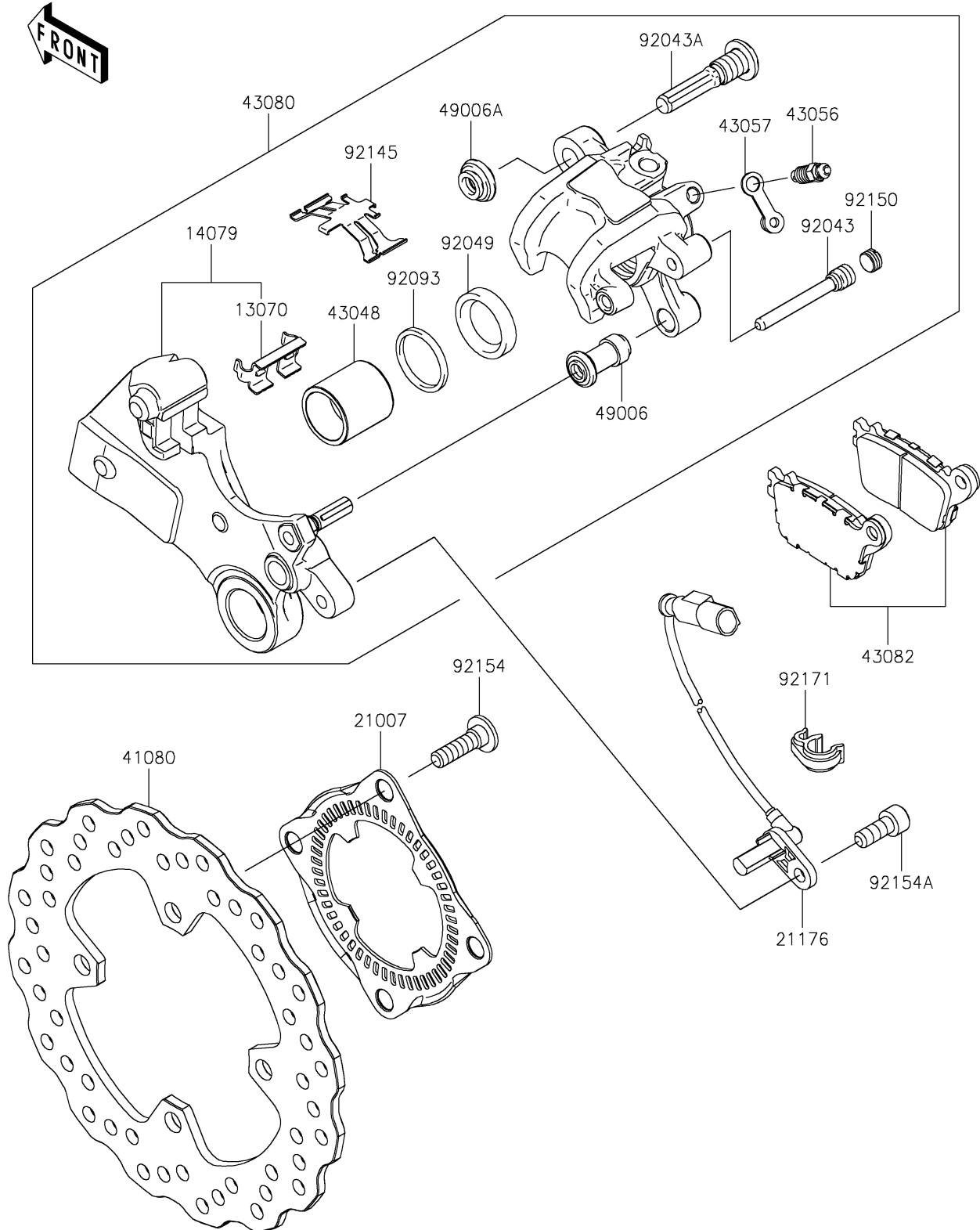


# 2021 NINJA® ZX™-6R KRT EDITION

## PARTS DIAGRAM

### Rear Brake

F2294



# 2021 NINJA® ZX™ -6R KRT EDITION



## PARTS LIST

### Rear Brake

ITEM NAME	PART NUMBER	QUANTITY
-----------	-------------	----------

---