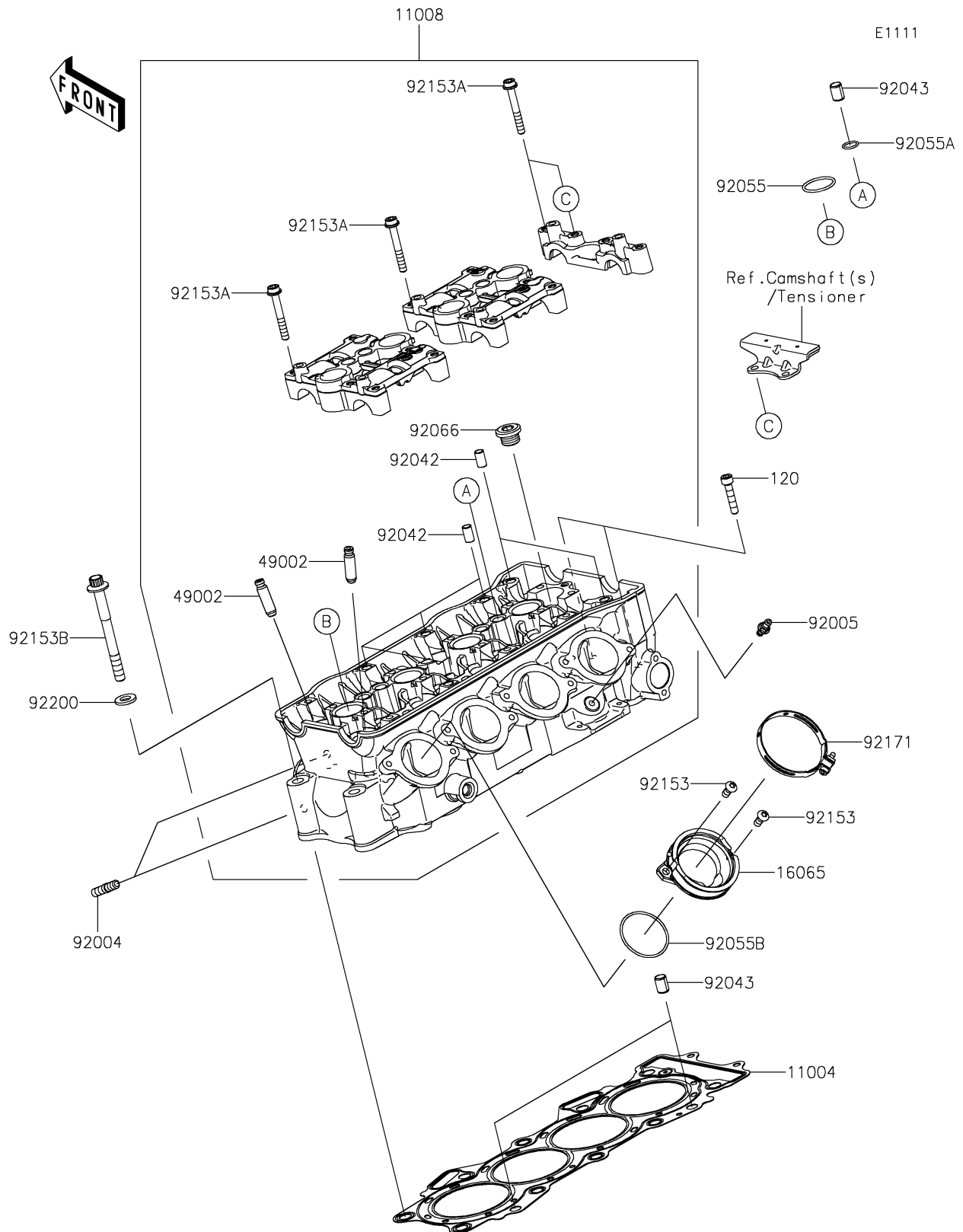


2021 Ninja® ZX™-6R ABS

PARTS DIAGRAM

Cylinder Head



2021 Ninja® ZX™-6R ABS

PARTS LIST

Cylinder Head

ITEM NAME	PART NUMBER	QUANTITY
GASKET-HEAD (Ref # 11004)	11004-0736	1
HEAD-COMP-CYLINDER (Ref # 11008)	11008-0762	1
HOLDER-CARBURETOR (Ref # 16065)	16065-0067	4
GUIDE-VALVE (Ref # 49002)	49002-1152	16
STUD (Ref # 92004)	92004-0050	8
FITTING (Ref # 92005)	92005-1273	1
PIN,DOWEL,6.3X8X14 (Ref # 92042)	92042-007	6
PIN,8.2X10X14 (Ref # 92043)	92043-1264	6
RING-O,25.5X2 (Ref # 92055)	92055-0074	4
RING-O,11.5X1.5 (Ref # 92055A)	92055-0133	4
RING-O,42X1.9 (Ref # 92055B)	92055-1536	4
PLUG,16X10 (Ref # 92066)	92066-0129	4
BOLT,TORX,6X14 (Ref # 92153)	92153-0406	8
BOLT,SOCKET,6X45 (Ref # 92153A)	92153-0656	20
BOLT,FLANGED,9X90 (Ref # 92153B)	92153-1610	10
CLAMP,60MM (Ref # 92171)	92171-0729	4
WASHER,9.2X19X2.3 (Ref # 92200)	92200-0193	10
BOLT-SOCKET,6X30 (Ref # 120)	120CD0630	2