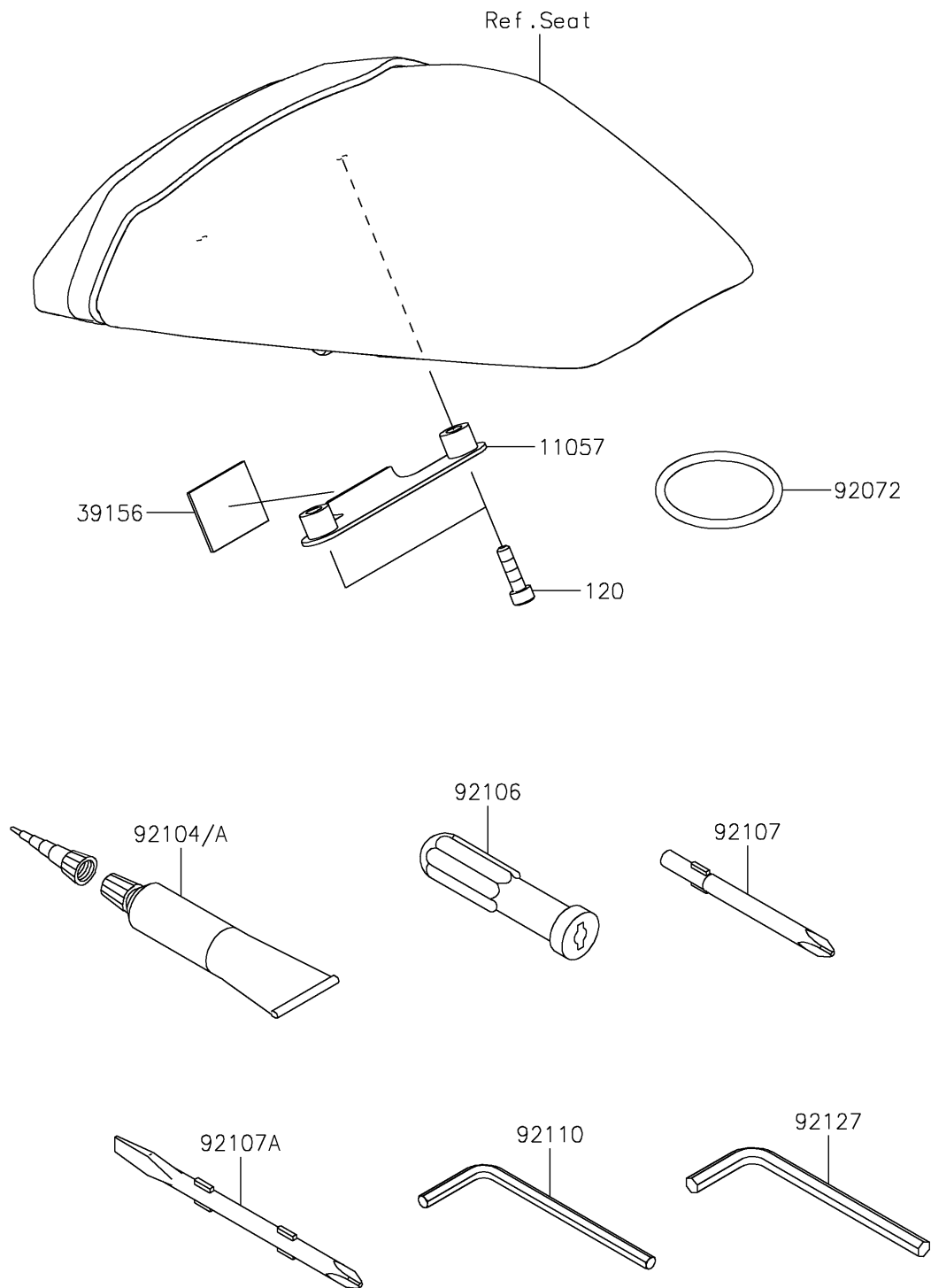


# 2020 Ninja<sup>®</sup> ZX<sup>™</sup>-6R

## PARTS DIAGRAM

### Owner's Tools

F2810



# 2020 Ninja® ZX™-6R

## PARTS LIST

### Owner's Tools

**ITEM NAME**

**PART NUMBER**

**QUANTITY**

---