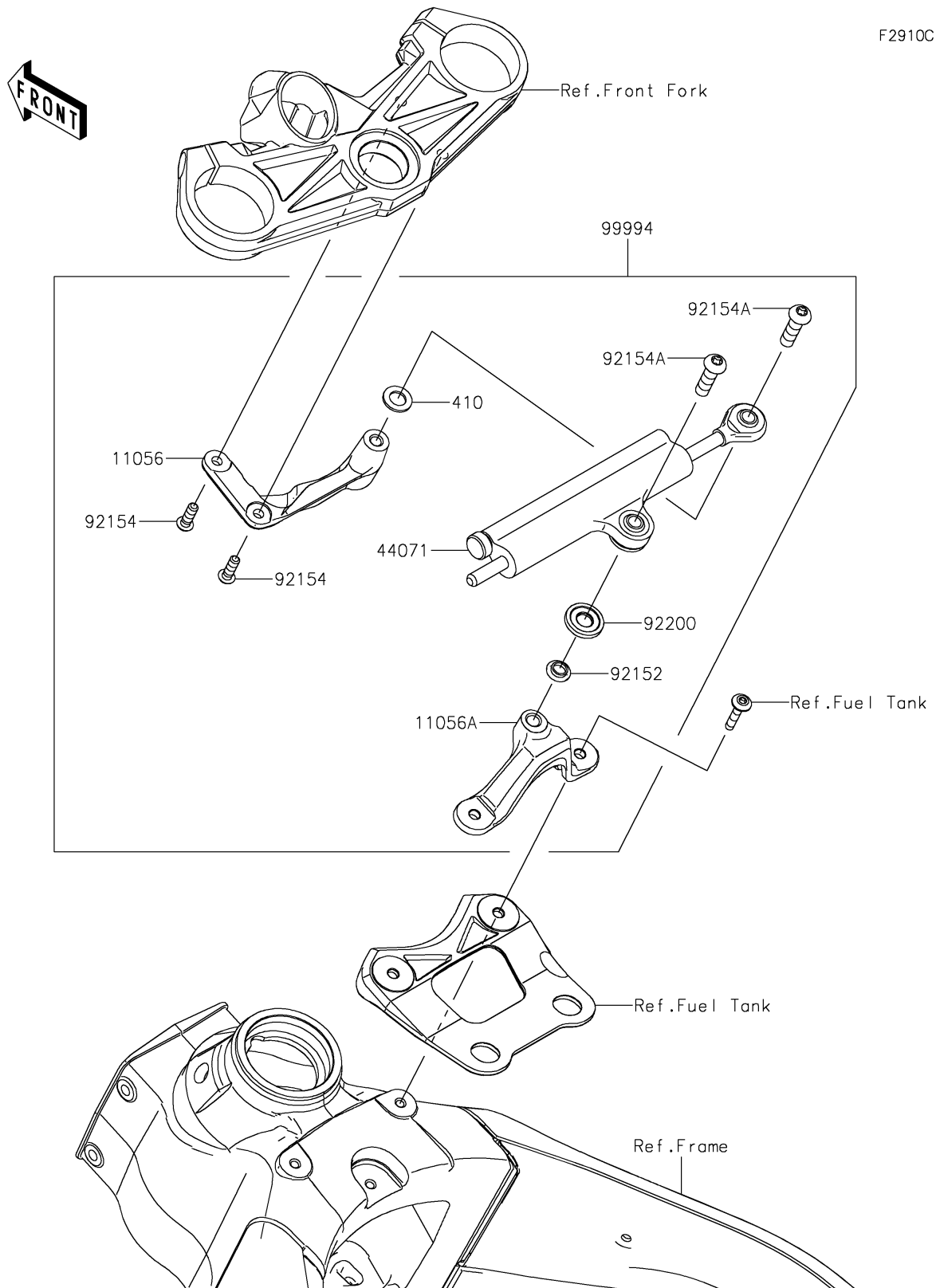


# 2020 NINJA® ZX™ -6R ABS

## PARTS DIAGRAM

### Accessory(Steering Damper)



F2910C

# 2020 NINJA® ZX™-6R ABS

## PARTS LIST

Accessory(Steering Damper)

**ITEM NAME**

**PART NUMBER**

**QUANTITY**

---