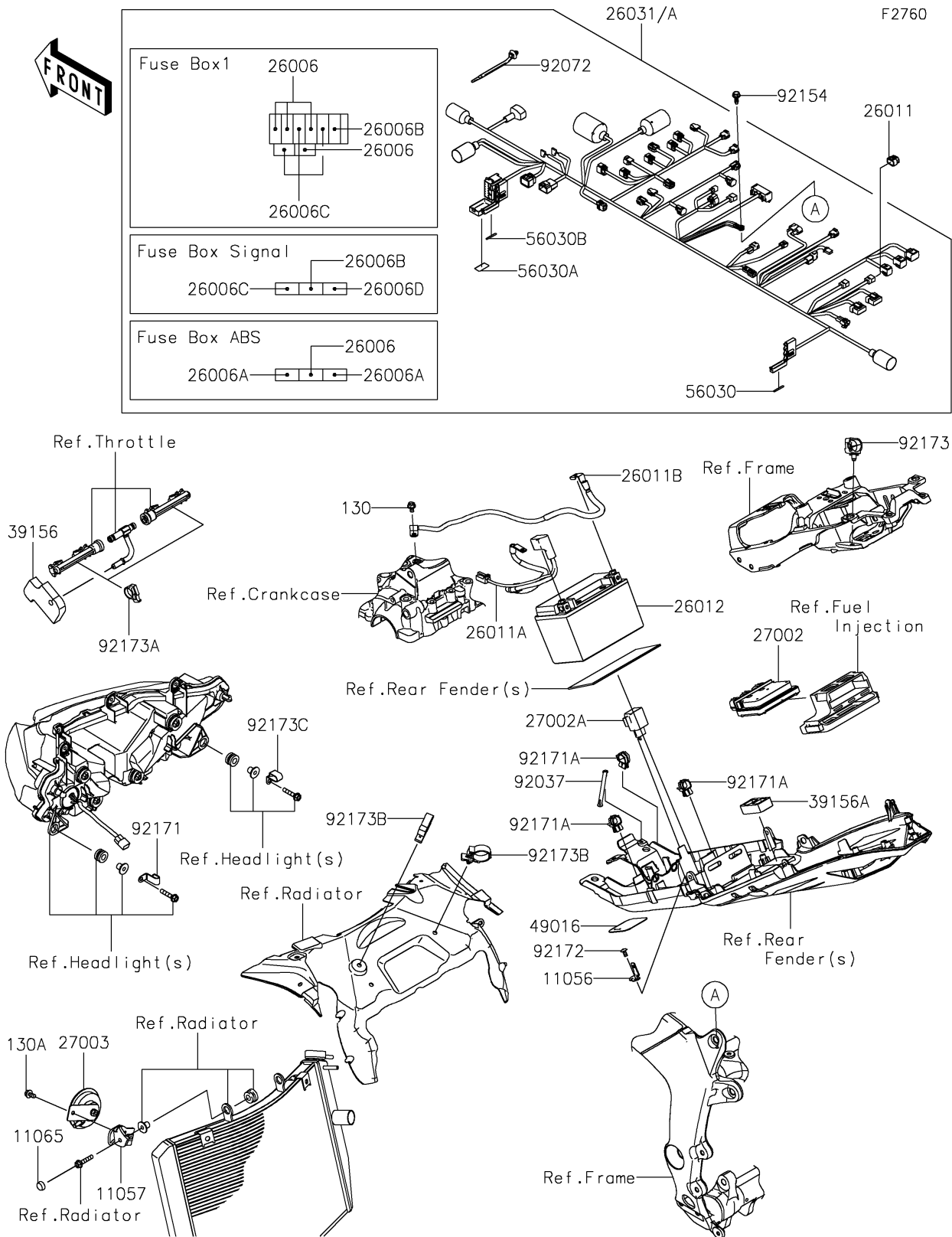


# 2020 NINJA® ZX™-6R ABS

## PARTS DIAGRAM

### Chassis Electrical Equipment



# 2020 NINJA® ZX™-6R ABS

## PARTS LIST

### Chassis Electrical Equipment

ITEM NAME	PART NUMBER	QUANTITY
-----------	-------------	----------

---