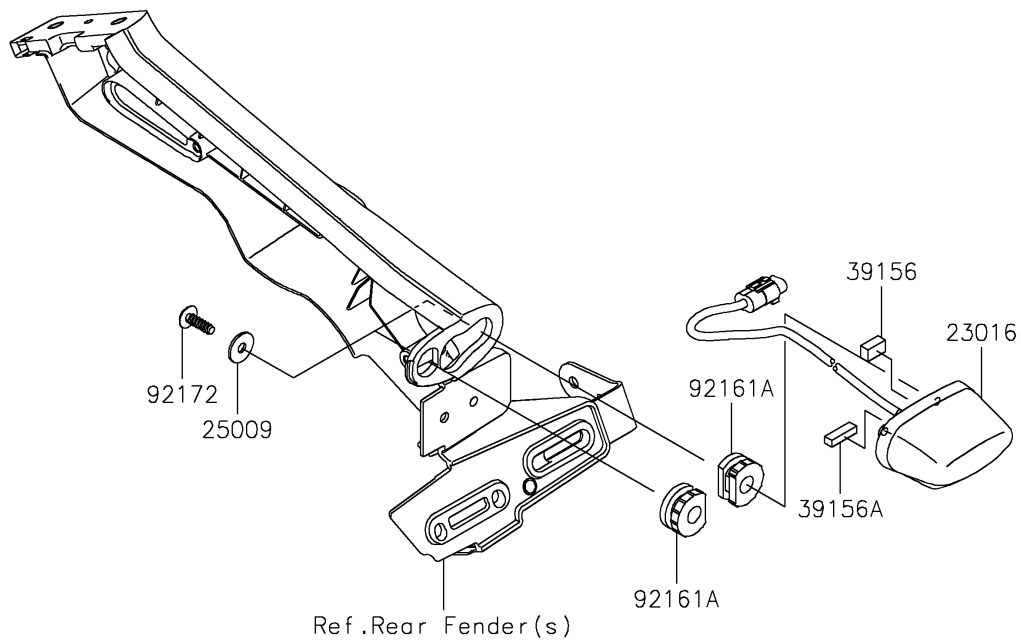
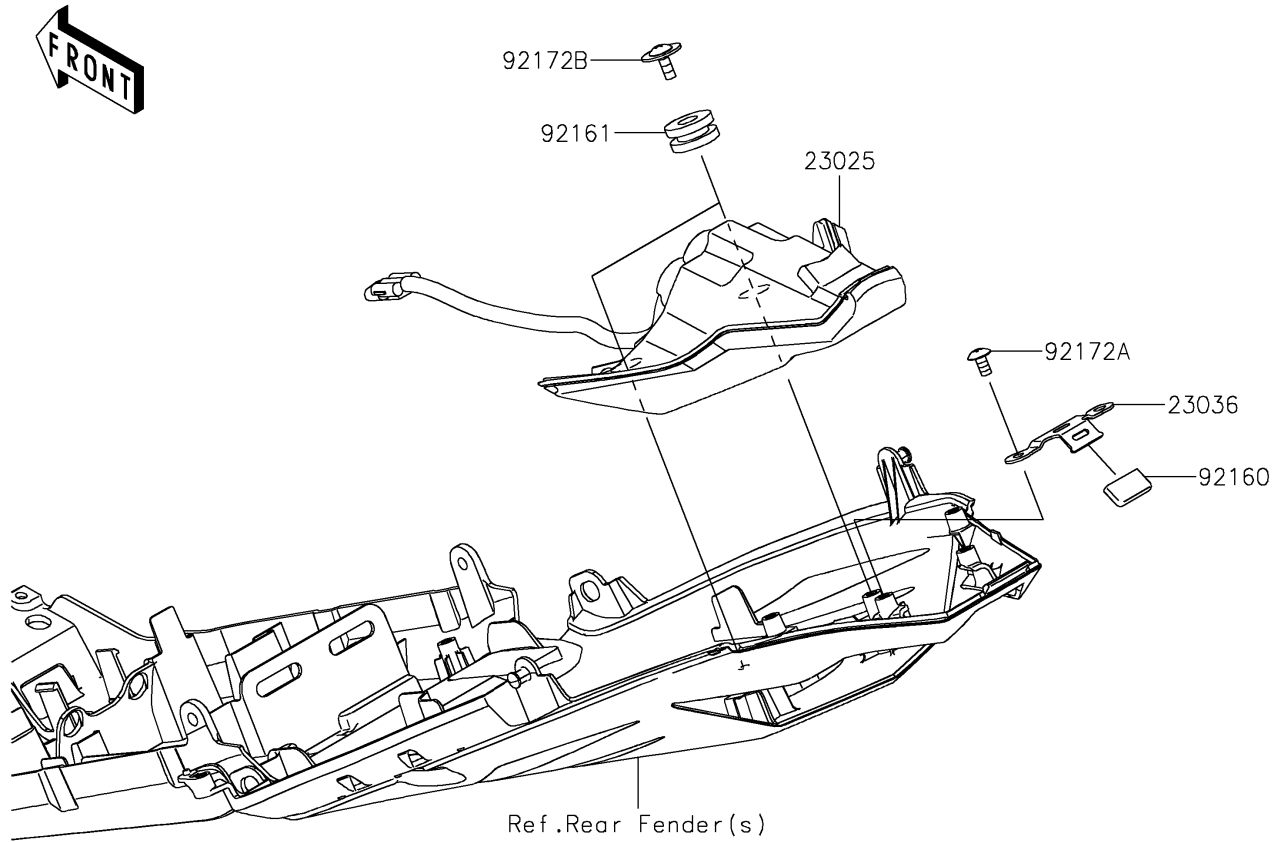


# 2020 NINJA® ZX™-6R ABS

## PARTS DIAGRAM

### Taillight(s)

F2720



# 2020 NINJA® ZX™-6R ABS

## PARTS LIST

Taillight(s)

ITEM NAME	PART NUMBER	QUANTITY
-----------	-------------	----------

---