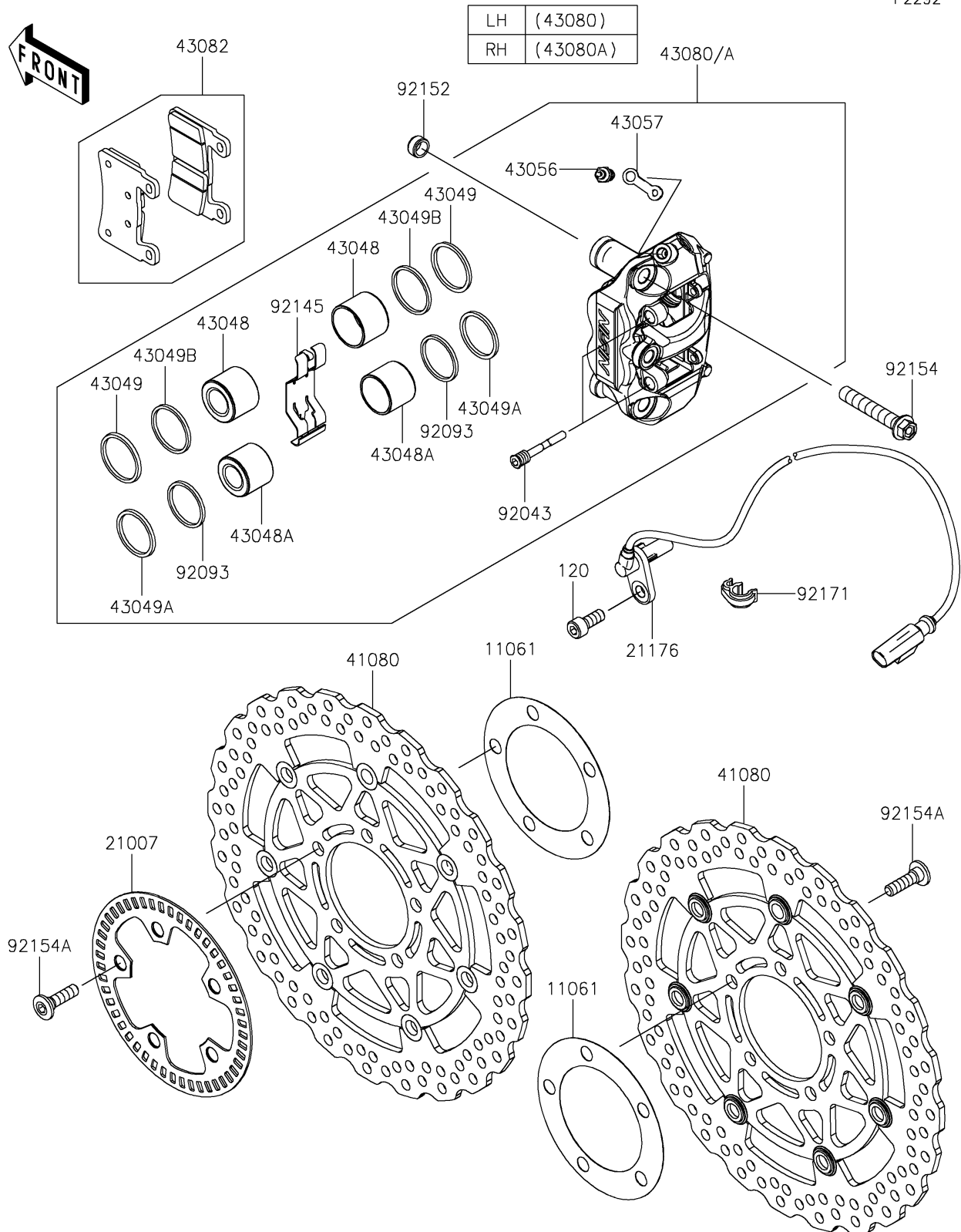


# 2020 NINJA® ZX™-6R ABS

## PARTS DIAGRAM

### Front Brake

F2292



# 2020 NINJA® ZX™-6R ABS

## PARTS LIST

### Front Brake

ITEM NAME	PART NUMBER	QUANTITY
-----------	-------------	----------

---