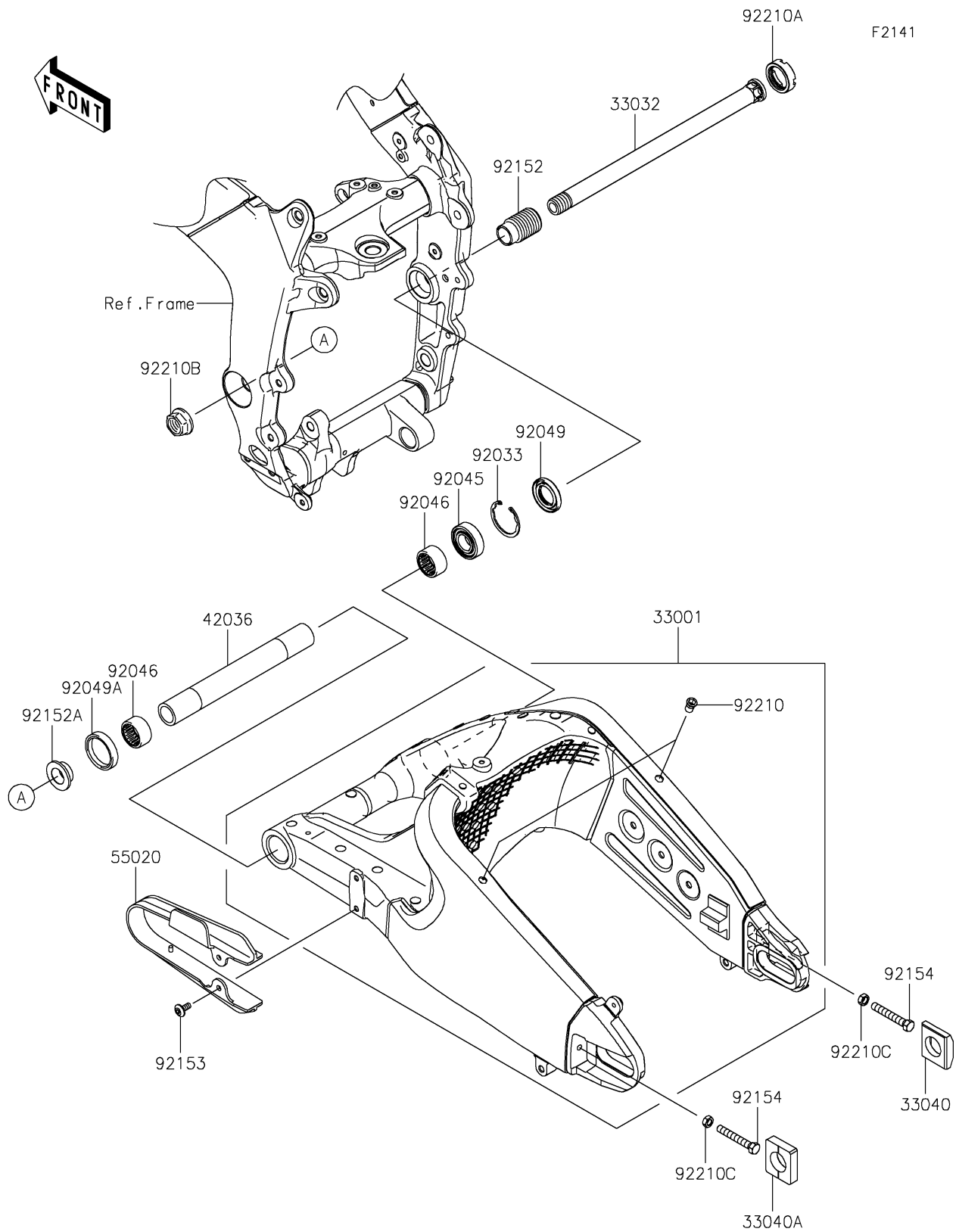


# 2020 NINJA® ZX™-6R ABS

## PARTS DIAGRAM

### Swingarm



# 2020 NINJA® ZX™-6R ABS

## PARTS LIST

### Swingarm

ITEM NAME	PART NUMBER	QUANTITY
-----------	-------------	----------

---