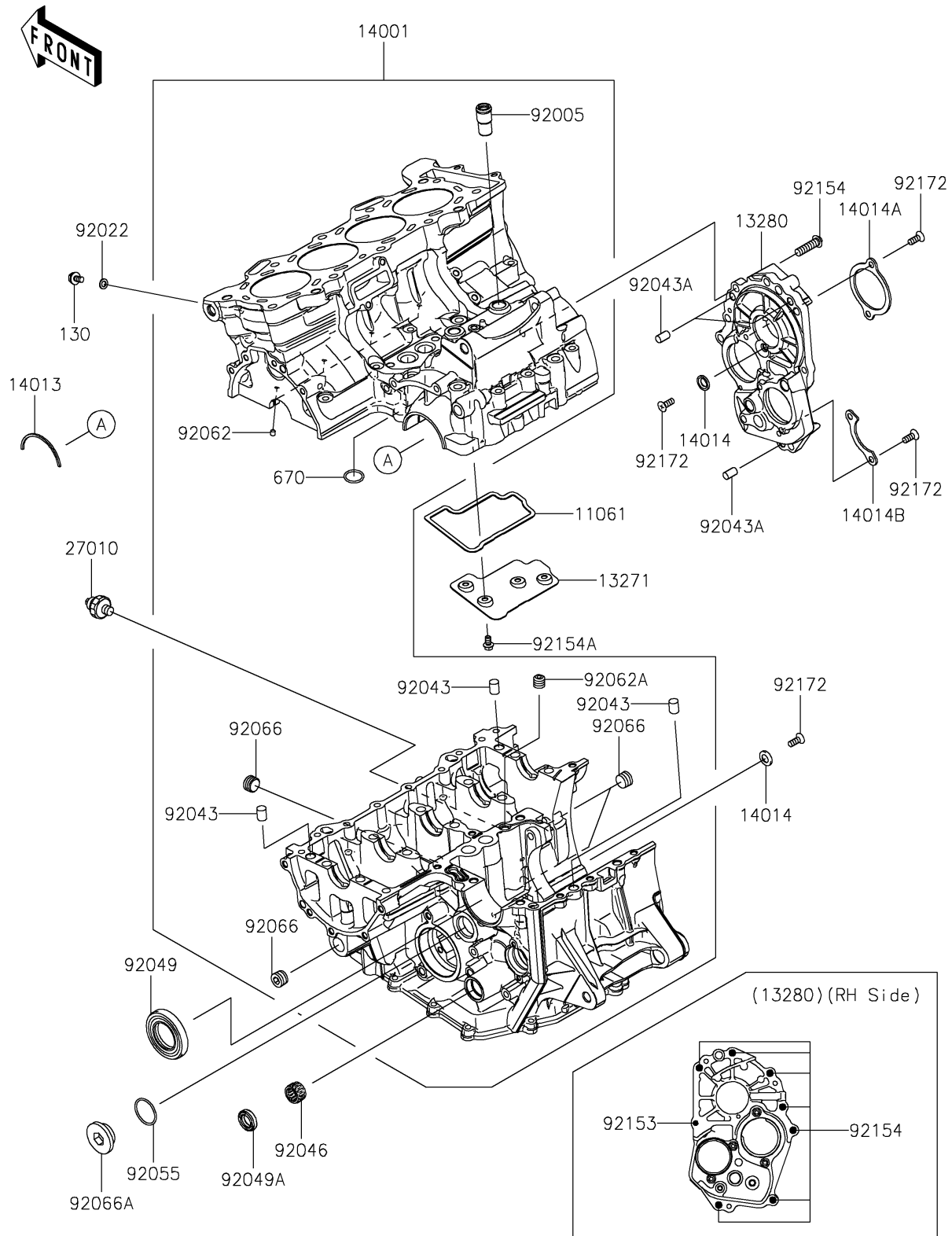


# 2020 NINJA® ZX™-6R ABS

## PARTS DIAGRAM

### Crankcase

E1411



# 2020 NINJA<sup>®</sup> ZX<sup>™</sup>-6R ABS

## PARTS LIST

### Crankcase

ITEM NAME	PART NUMBER	QUANTITY
-----------	-------------	----------

---