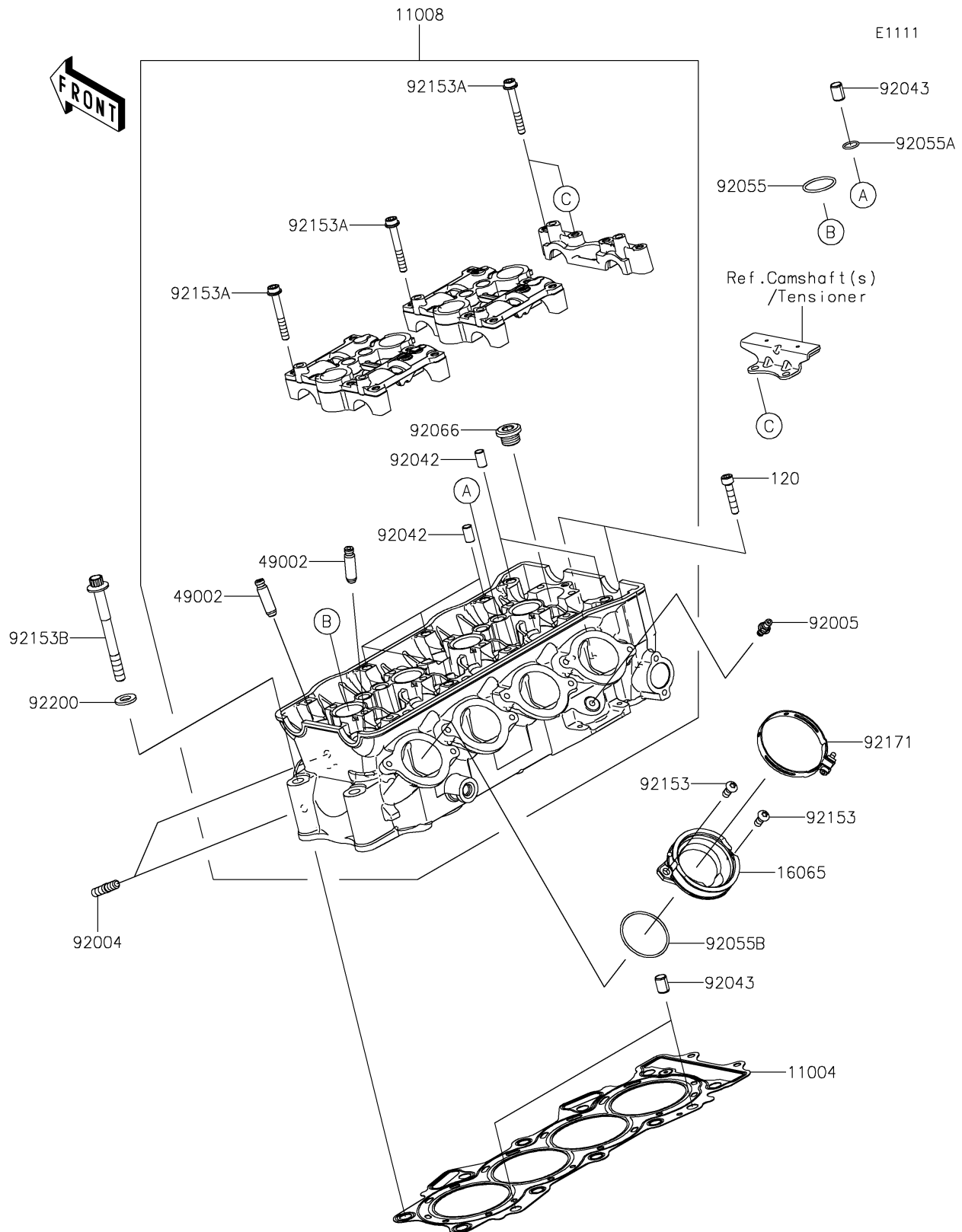


# 2020 NINJA® ZX™ -6R ABS

## PARTS DIAGRAM

### Cylinder Head



# 2020 NINJA® ZX™-6R ABS

## PARTS LIST

### Cylinder Head

ITEM NAME	PART NUMBER	QUANTITY
-----------	-------------	----------

---