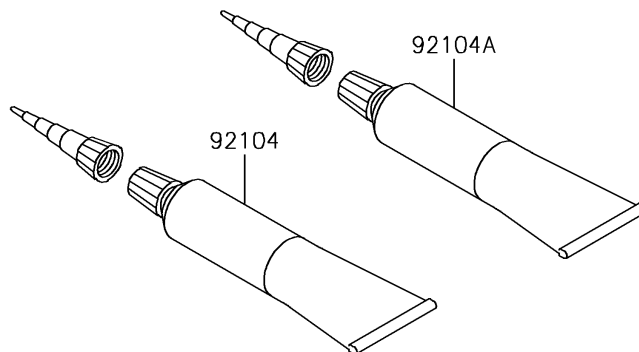
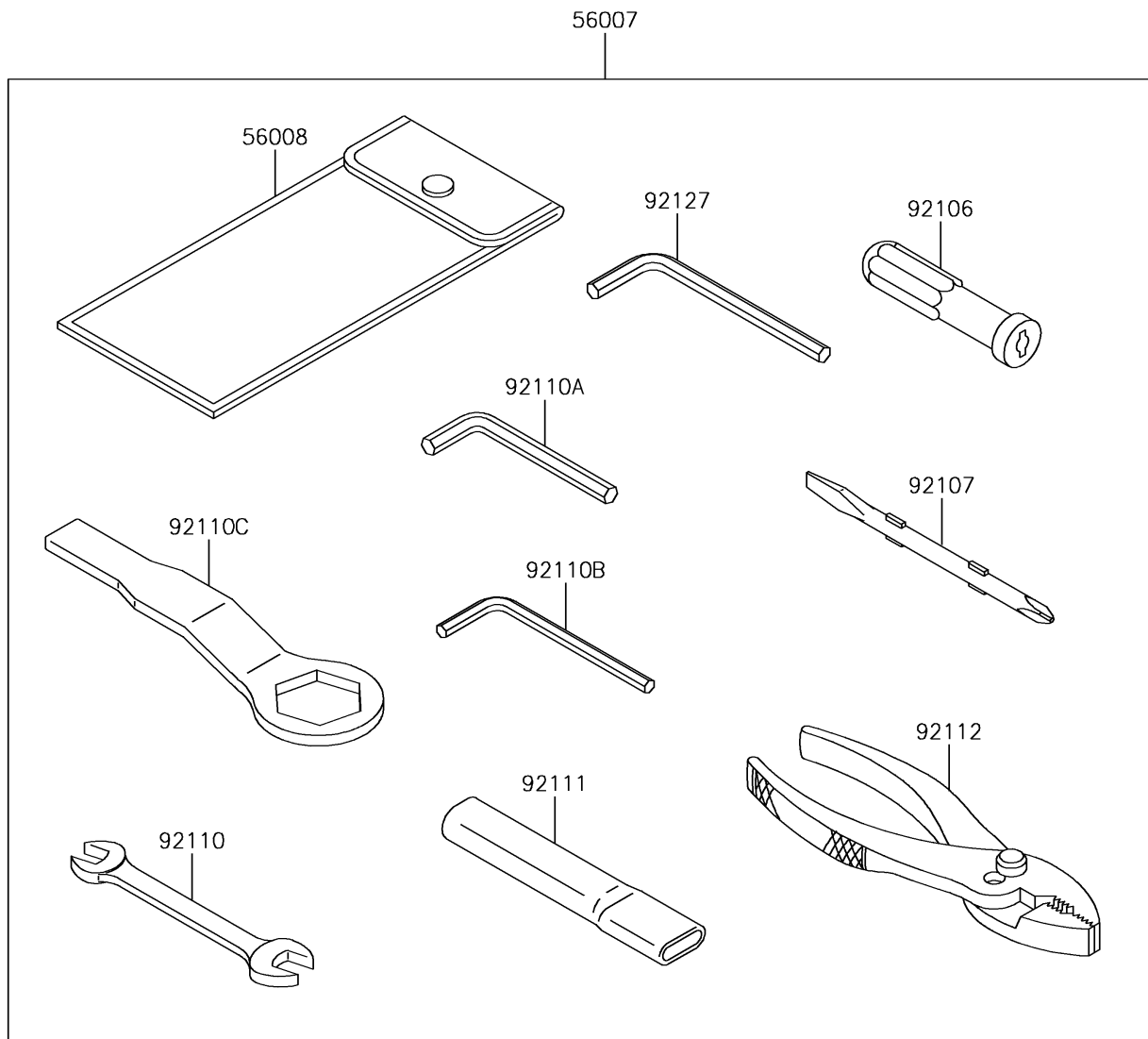


# 2018 NINJA<sup>®</sup> ZX<sup>™</sup>-6R ABS

## PARTS DIAGRAM

### Owner's Tools

F2810



# 2018 NINJA® ZX™-6R ABS

## PARTS LIST

### Owner's Tools

**ITEM NAME**

**PART NUMBER**

**QUANTITY**

---