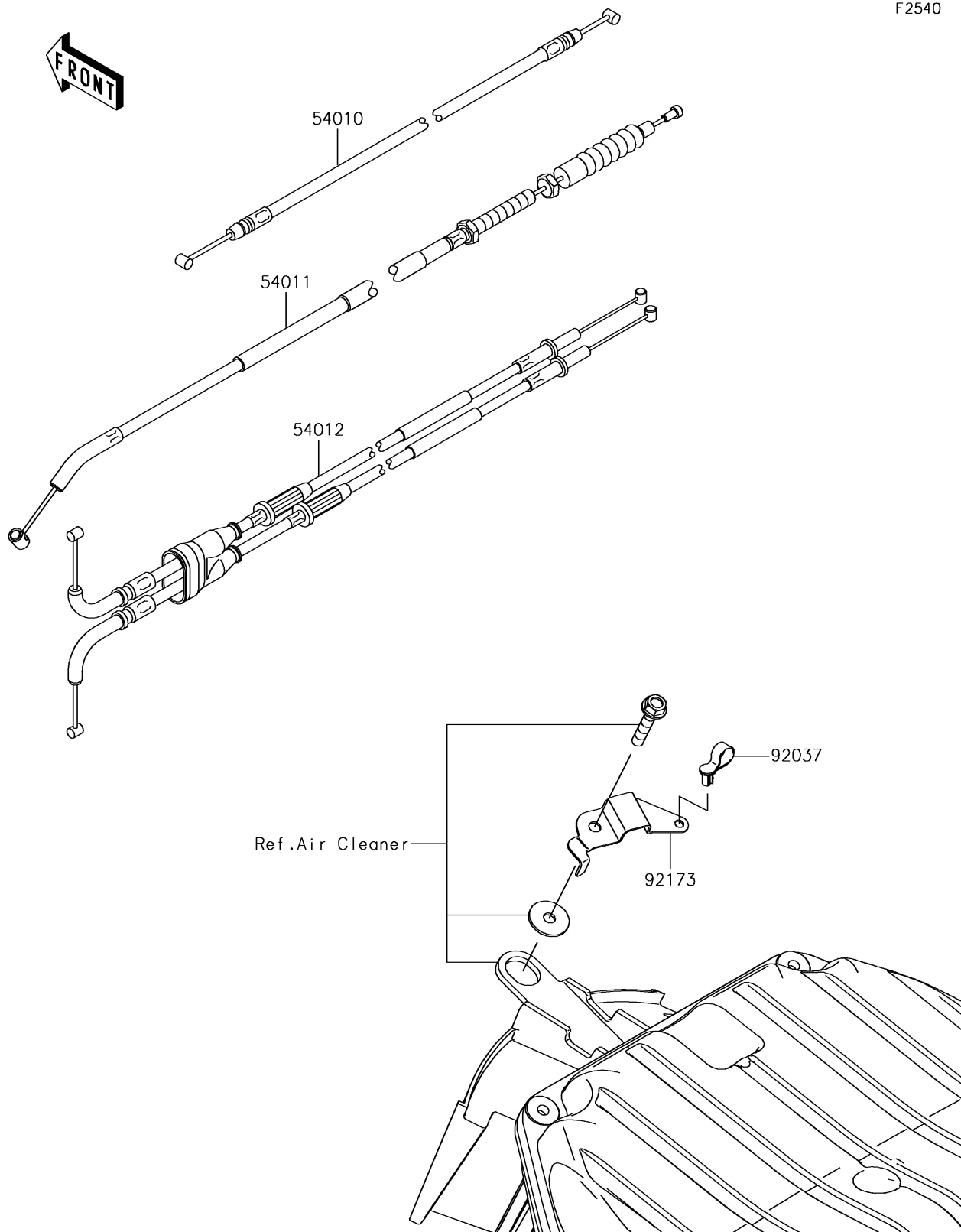


2018 NINJA[®] ZX[™]-6R ABS

PARTS DIAGRAM

Cables

F2540



2018 NINJA[®] ZX[™]-6R ABS

PARTS LIST

Cables

ITEM NAME	PART NUMBER	QUANTITY
CABLE,SEAT LOCK (Ref # 54010)	54010-0590	1
CABLE-CLUTCH (Ref # 54011)	54011-0564	1
CABLE-THROTTLE (Ref # 54012)	54012-0586	1
CLAMP,SPEED,L=43 (Ref # 92037)	92037-1290	1
CLAMP (Ref # 92173)	92173-1151	1