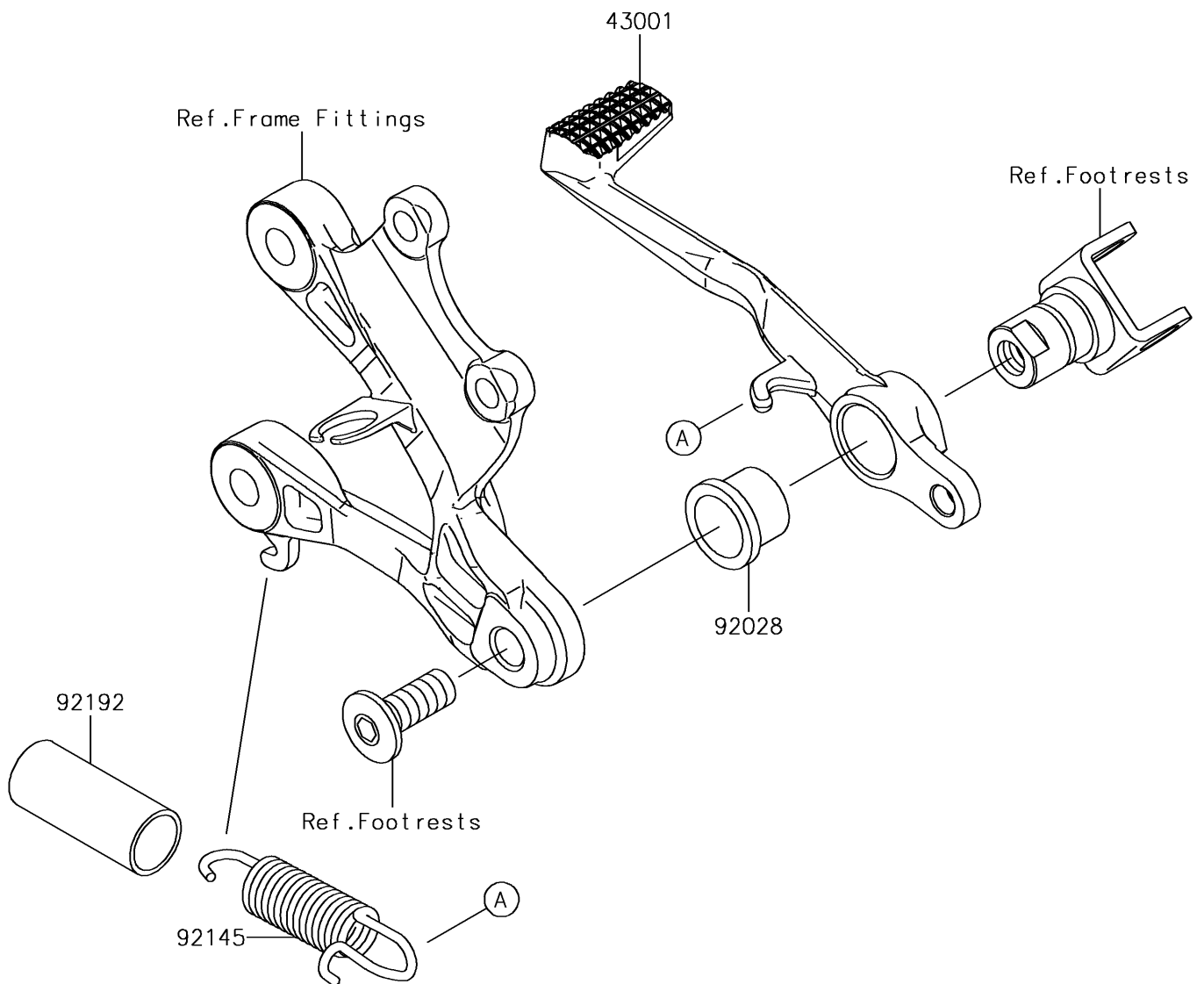


2018 NINJA[®] ZX[™]-6R ABS

PARTS DIAGRAM

Brake Pedal/Torque Link

F2260



2018 NINJA® ZX™ -6R ABS

PARTS LIST

Brake Pedal/Torque Link

ITEM NAME	PART NUMBER	QUANTITY
-----------	-------------	----------
