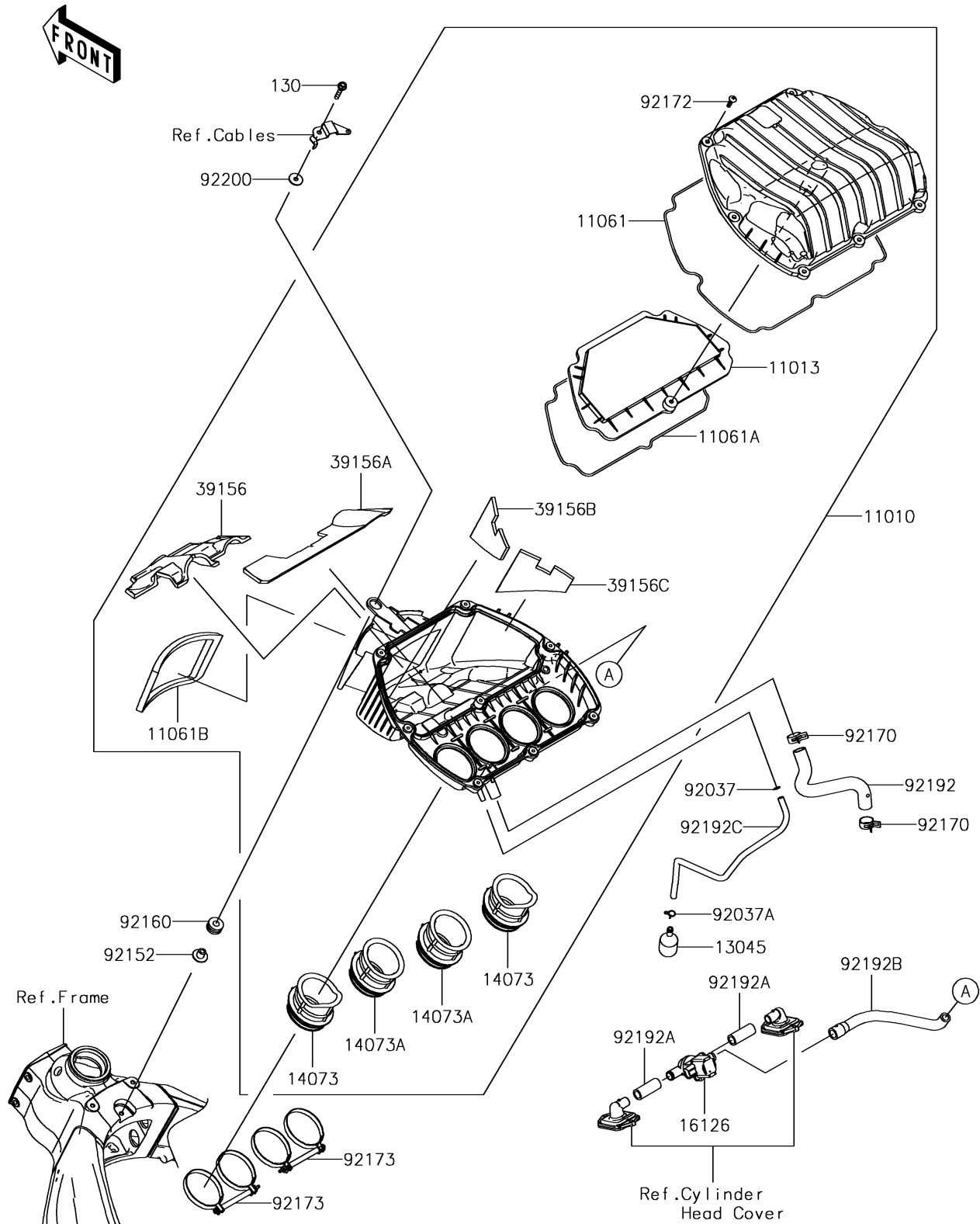


2018 NINJA® ZX™-6R ABS

PARTS DIAGRAM

Air Cleaner

E1130



2018 NINJA® ZX™-6R ABS

PARTS LIST

Air Cleaner

| ITEM NAME | PART NUMBER | QUANTITY |
|------------------------------------|-------------|----------|
| FILTER-ASSY-AIR (Ref # 11010) | 11010-0879 | 1 |
| ELEMENT-AIR FILTER (Ref # 11013) | 11013-0036 | 1 |
| GASKET,UPP CASE (Ref # 11061) | 11061-0379 | 1 |
| GASKET,LWR CASE (Ref # 11061A) | 11061-0380 | 1 |
| GASKET,FRAME-A/C (Ref # 11061B) | 11061-0381 | 1 |
| RECEIVER-OIL (Ref # 13045) | 13045-1057 | 1 |
| DUCT,FUNNEL #1 (Ref # 14073) | 14073-0742 | 2 |
| DUCT,FUNNEL #2 (Ref # 14073A) | 14073-0766 | 2 |
| VALVE,AIR SWITCHING (Ref # 16126) | 16126-0745 | 1 |
| PAD,FR (Ref # 39156) | 39156-0513 | 1 |
| PAD,RR (Ref # 39156A) | 39156-0514 | 1 |
| PAD,LH (Ref # 39156B) | 39156-0515 | 1 |
| PAD,RH (Ref # 39156C) | 39156-0516 | 1 |
| CLAMP,TUBE (Ref # 92037) | 92037-010 | 1 |
| CLAMP (Ref # 92037A) | 92037-1712 | 1 |
| COLLAR,6.5X10.5X13.1 (Ref # 92152) | 92152-0547 | 1 |
| DAMPER (Ref # 92160) | 92160-1162 | 1 |
| CLAMP (Ref # 92170) | 92170-1060 | 2 |
| SCREW (Ref # 92172) | 92172-1072 | 8 |
| CLAMP (Ref # 92173) | 92173-0115 | 2 |
| TUBE,BLOWBY (Ref # 92192) | 92192-0429 | 1 |
| TUBE,12X17.6X44 (Ref # 92192A) | 92192-0851 | 2 |
| TUBE,ASV-A/C (Ref # 92192B) | 92192-0879 | 1 |
| TUBE,6X9X430 (Ref # 92192C) | 92192-1254 | 1 |
| WASHER,6.5X22X1.6 (Ref # 92200) | 92200-1087 | 1 |
| BOLT-FLANGED,6X30 (Ref # 130) | 130BB0630 | 1 |