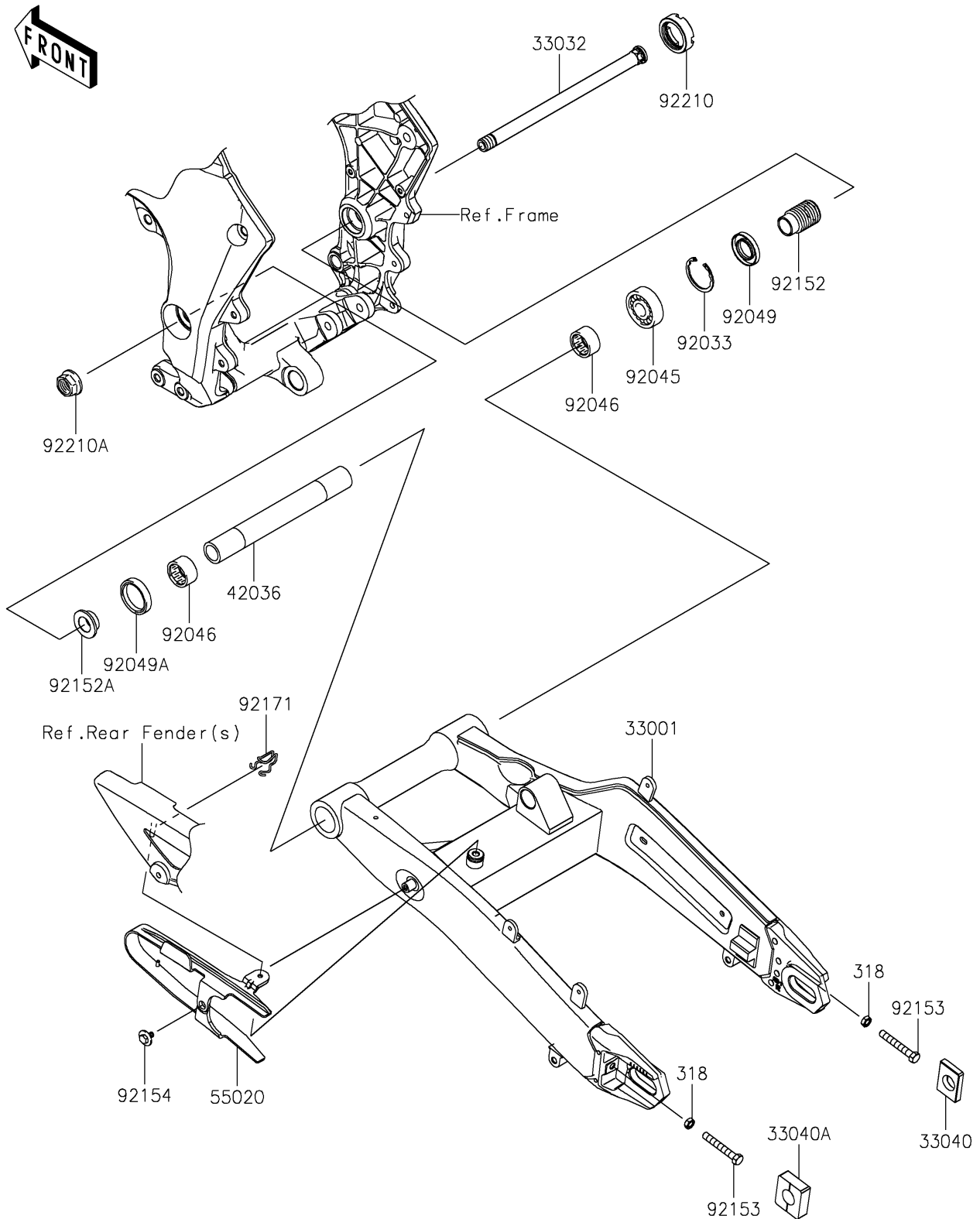


2026 Z1100 SE ABS

PARTS DIAGRAM

Swingarm

F2141



2026 Z1100 SE ABS

PARTS LIST

Swingarm

| ITEM NAME | PART NUMBER | QUANTITY |
|--|-------------|----------|
| ARM-COMP-SWING (Ref # 33001) | 33001-0764 | 1 |
| SHAFT-SWING ARM (Ref # 33032) | 33032-0044 | 1 |
| ADJUSTER-CHAIN,RH (Ref # 33040) | 33040-0040 | 1 |
| ADJUSTER-CHAIN,LH (Ref # 33040A) | 33040-0110 | 1 |
| SLEEVE,20.1X28X226 (Ref # 42036) | 42036-0069 | 1 |
| GUARD,CHAIN (Ref # 55020) | 55020-0903 | 1 |
| RING-SNAP,42MM (Ref # 92033) | 92033-1041 | 1 |
| BEARING-BALL,6004UL11 (Ref # 92045) | 92045-0017 | 1 |
| BEARING-NEEDLE,7E-HVS 28X34X17 (Ref # 92046) | 92046-0008 | 2 |
| SEAL-OIL,MHSA25X42X6 (Ref # 92049) | 92049-1314 | 1 |
| SEAL-OIL,MHSA25X34X7 (Ref # 92049A) | 92049-1352 | 1 |
| COLLAR,SWING ARM,L=47 (Ref # 92152) | 92152-2980 | 1 |
| COLLAR,SWING ARM,L=12.5 (Ref # 92152A) | 92152-3997 | 1 |
| BOLT,8X55 (Ref # 92153) | 92153-1407 | 2 |
| BOLT-UPSET-WP,6X12 (Ref # 92154) | 92154-4179 | 1 |
| CLAMP (Ref # 92171) | 92171-0907 | 1 |
| NUT,30MM (Ref # 92210) | 92210-0134 | 1 |
| NUT,FLANGED,20MM (Ref # 92210A) | 92210-0320 | 1 |
| NUT-HEX-SMALL,8MM (Ref # 318) | 318AA0800 | 2 |