

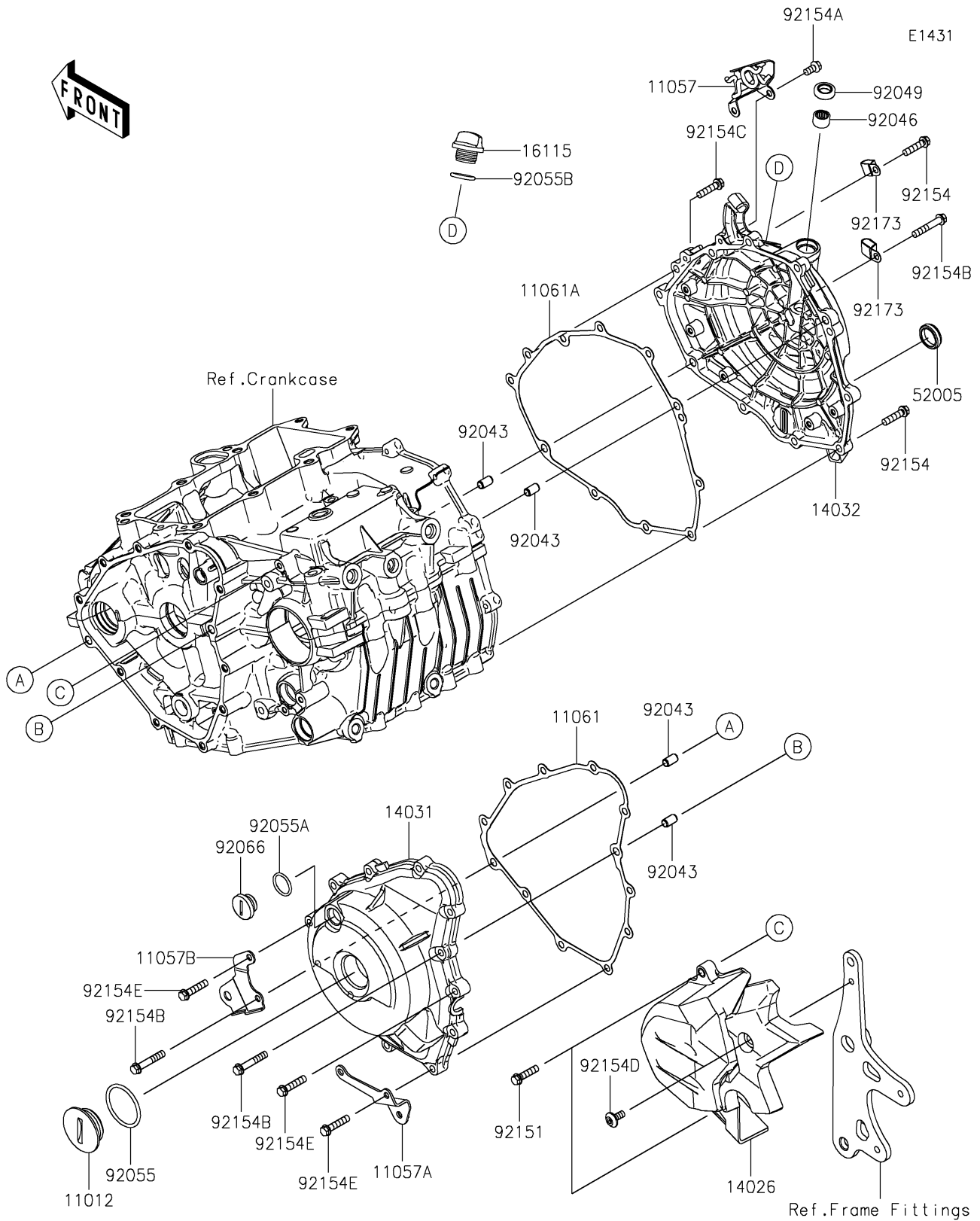
# 2026 Ninja 500

## PARTS DIAGRAM

### Engine Cover(s)

**Kawasaki**

Let the Good Times Roll®



# 2026 Ninja 500

## PARTS LIST

Engine Cover(s)

**ITEM NAME**

**PART NUMBER**

**QUANTITY**

---