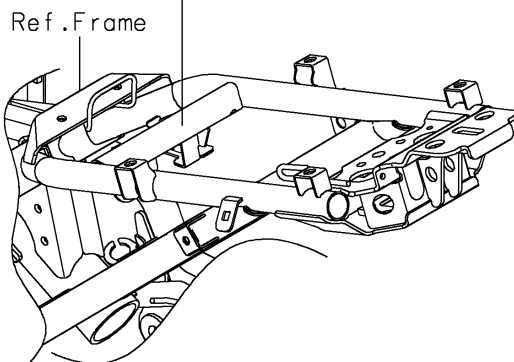
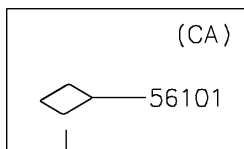
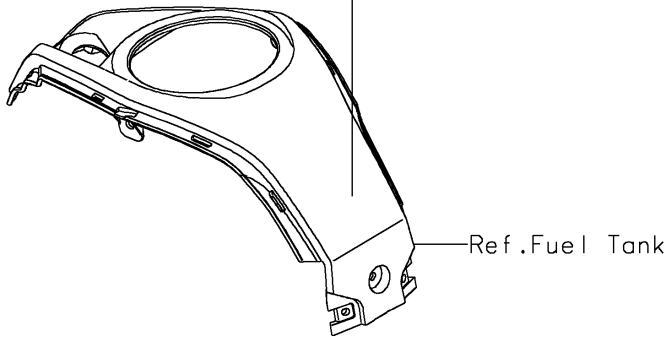
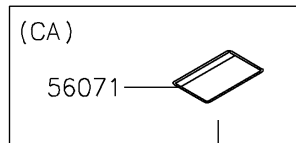


# 2026 Z125 PRO

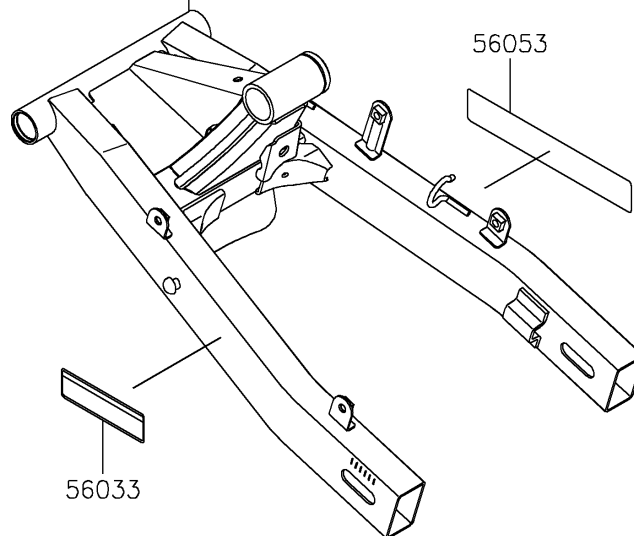
## PARTS DIAGRAM

### Labels

F2860



Ref. Swingarm  
/Shock Absorber



# 2026 Z125 PRO

## PARTS LIST

### Labels

**ITEM NAME**

**PART NUMBER**

**QUANTITY**

---