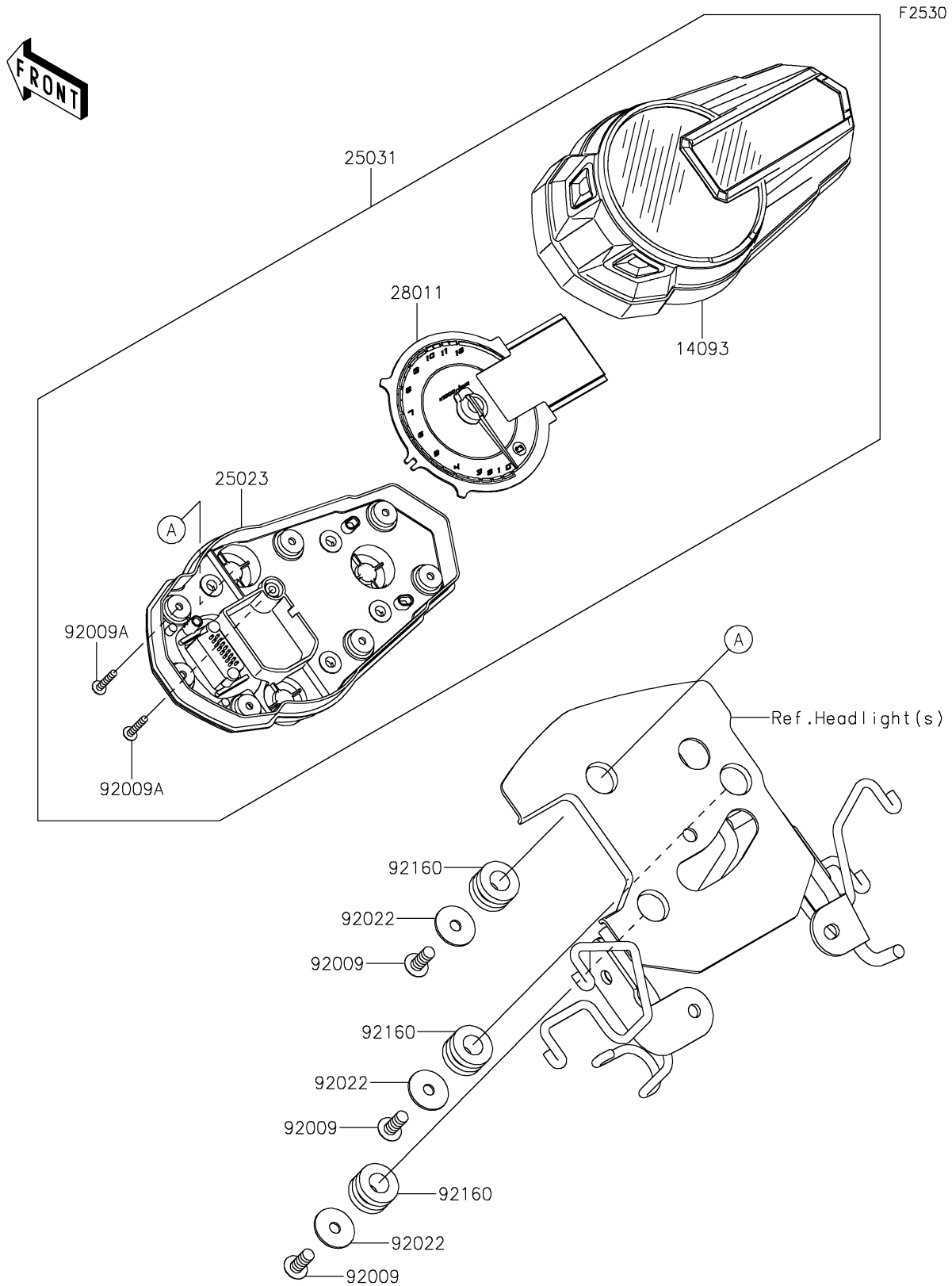


2026 Z125 PRO

PARTS DIAGRAM

Meter(s)



2026 Z125 PRO

PARTS LIST

Meter(s)

ITEM NAME	PART NUMBER	QUANTITY
COVER (Ref # 14093)	14093-0470	1
COVER-METER CASE (Ref # 25023)	25023-0122	1
METER-ASSY,COMBINATION (Ref # 25031)	25031-0650	1
METER,TA&LCD (Ref # 28011)	28011-0656	1
SCREW,TAPPING,5X14 (Ref # 92009)	92009-1197	3
SCREW,TAPPING,3X16 (Ref # 92009A)	92009-1391	8
WASHER,5.5X20X1.2 (Ref # 92022)	92022-1405	3
DAMPER,10X20X12 (Ref # 92160)	92160-1167	3