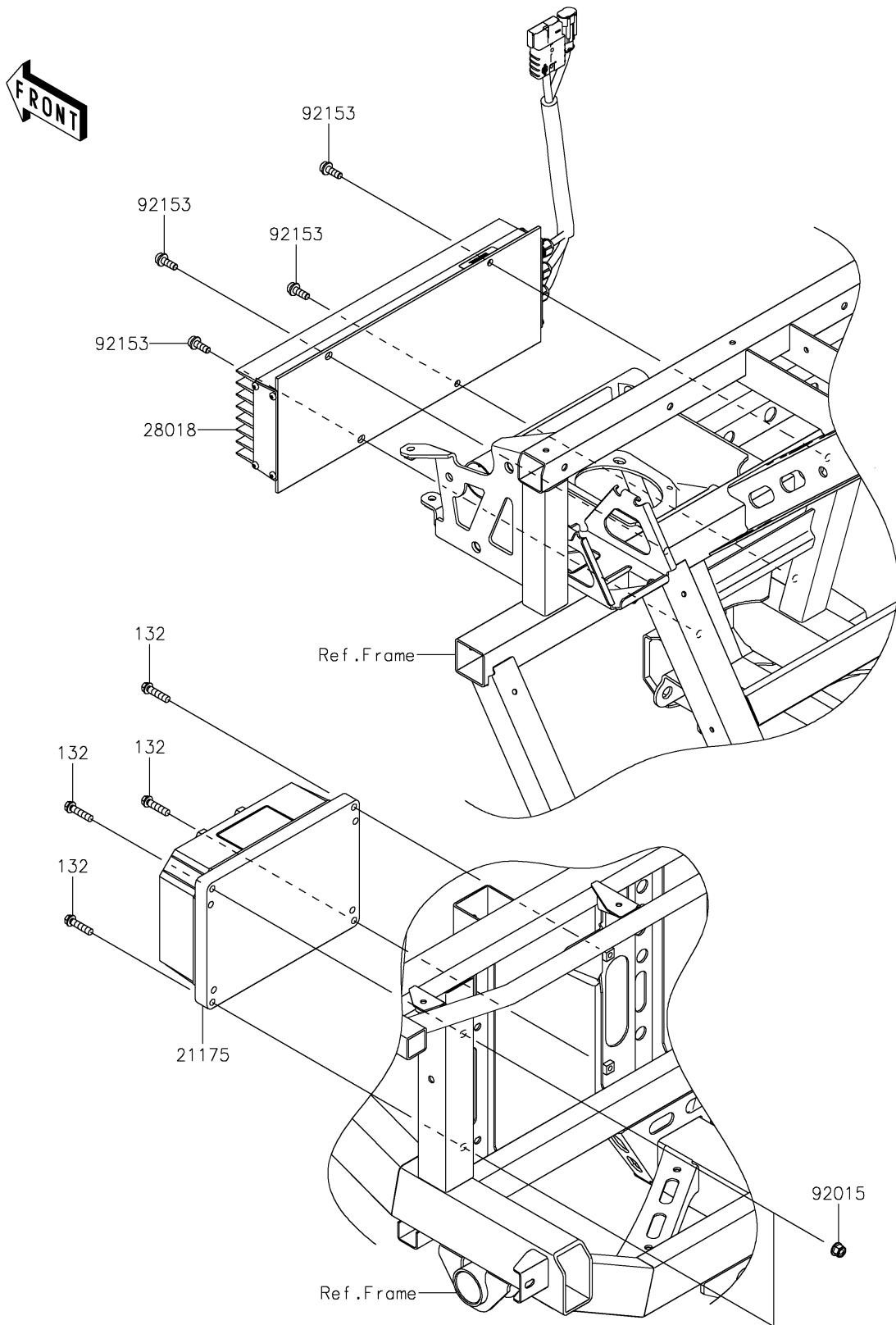


# 2025 NAV<sup>®</sup> 4e

## PARTS DIAGRAM

### Chassis Electrical Equipment-2



# 2025 NAV<sup>®</sup> 4e

## PARTS LIST

### Chassis Electrical Equipment-2

**ITEM NAME**

**PART NUMBER**

**QUANTITY**

---