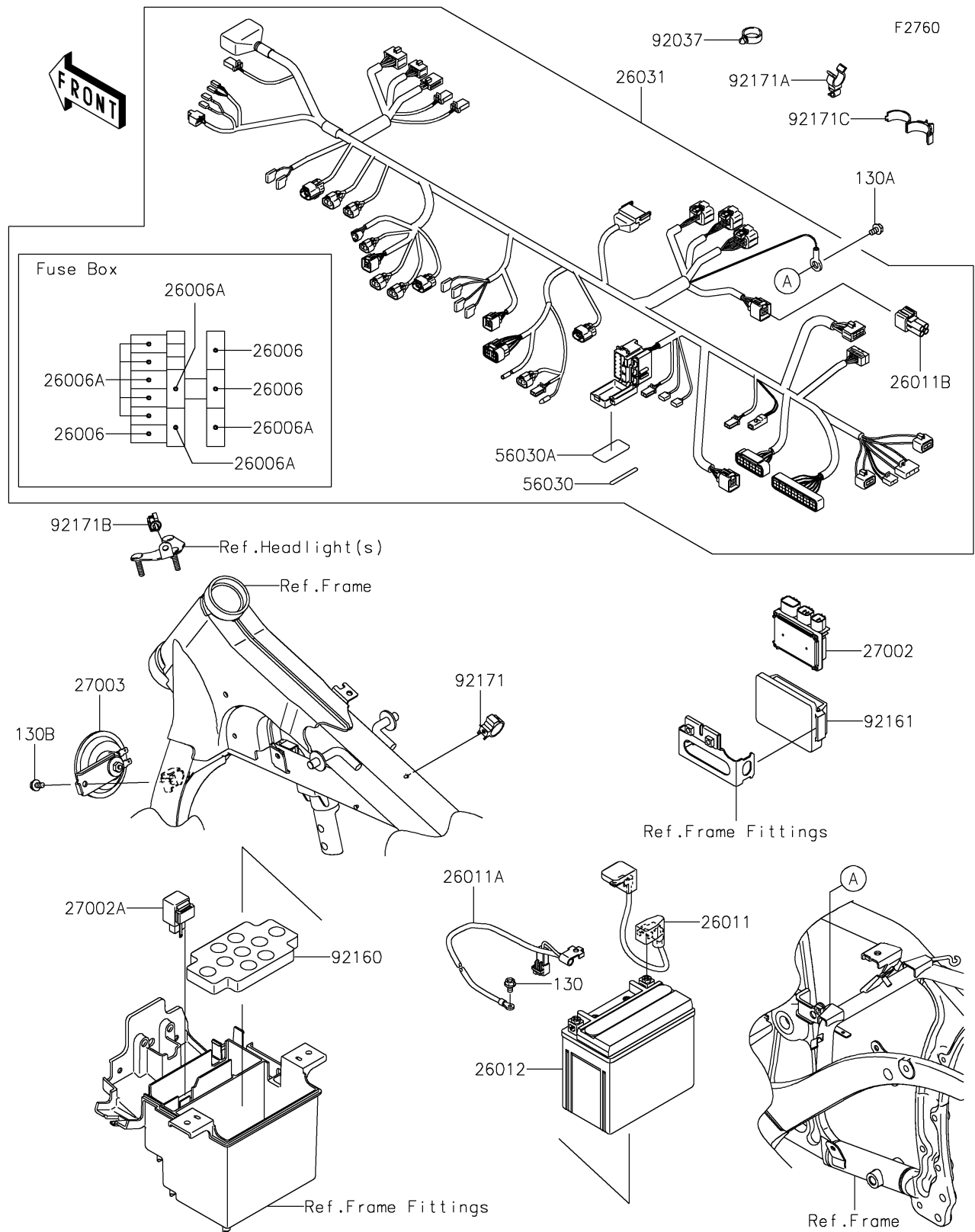


# 2025 Vulcan 900 Custom

## PARTS DIAGRAM

### Chassis Electrical Equipment



# 2025 Vulcan 900 Custom

## PARTS LIST

### Chassis Electrical Equipment



**ITEM NAME**

**PART NUMBER**

**QUANTITY**

---