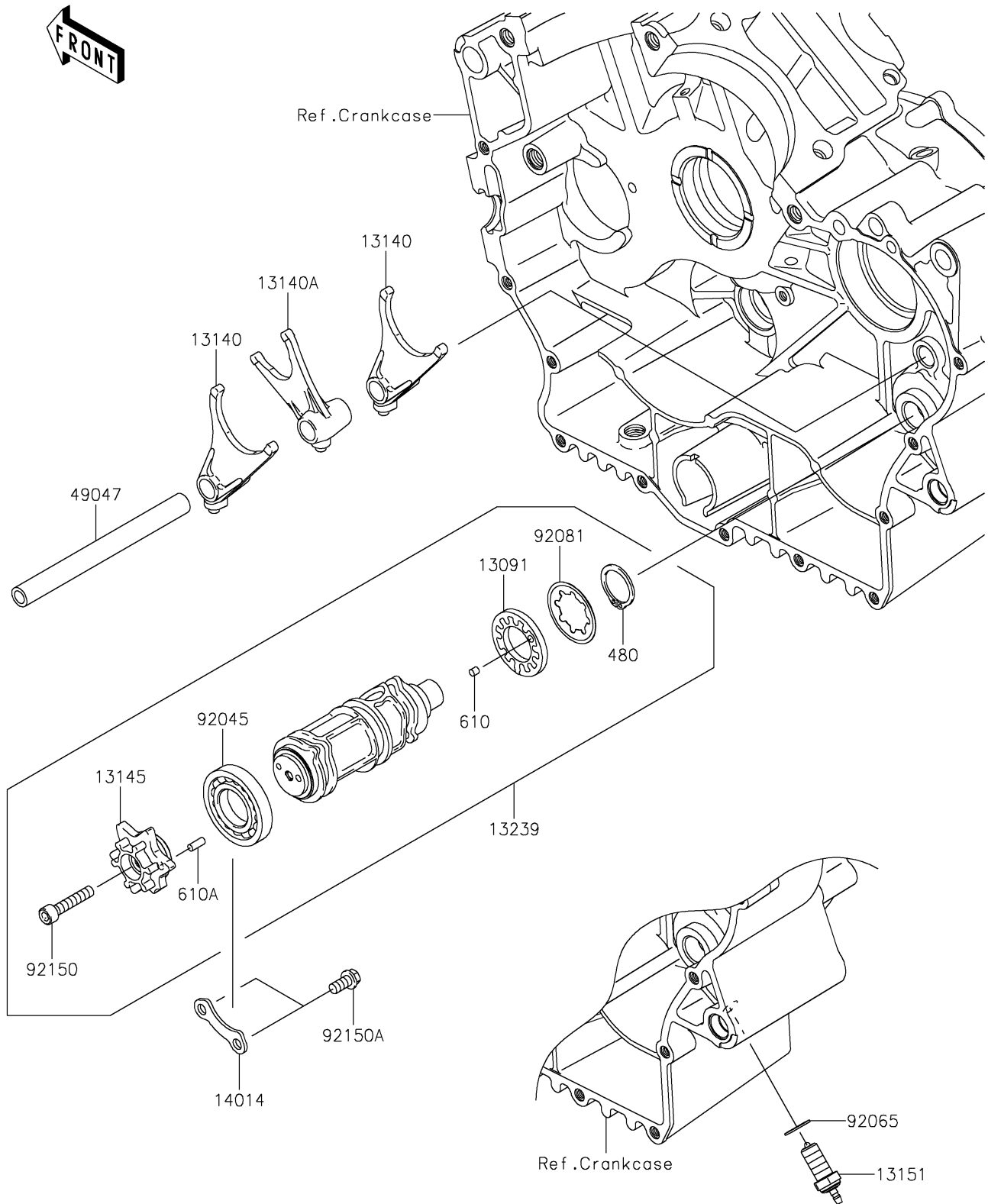


2025 Vulcan 900 Custom

PARTS DIAGRAM

Gear Change Drum/Shift Fork(s)

E1362



2025 Vulcan 900 Custom

PARTS LIST

Gear Change Drum/Shift Fork(s)

| ITEM NAME | PART NUMBER | QUANTITY |
|----------------------------------|-------------|----------|
| HOLDER,CHANGE DRUM (Ref # 13091) | 13091-1389 | 1 |
| FORK-SHIFT (Ref # 13140) | 13140-0031 | 2 |
| FORK-SHIFT (Ref # 13140A) | 13140-1138 | 1 |
| CAM-CHANGE DRUM (Ref # 13145) | 13145-0028 | 1 |
| SWITCH-COMP (Ref # 13151) | 13151-1085 | 1 |
| DRUM-ASSY-CHANGE (Ref # 13239) | 13239-0018 | 1 |
| PLATE-POSITION (Ref # 14014) | 14014-1014 | 1 |
| ROD-SHIFT (Ref # 49047) | 49047-0036 | 1 |
| BEARING-BALL,16005 (Ref # 92045) | 92045-1045 | 1 |
| GASKET,10.5X16X1 (Ref # 92065) | 92065-058 | 1 |
| SPRING (Ref # 92081) | 92081-1895 | 1 |
| BOLT,SOCKET,6X30 (Ref # 92150) | 92150-1433 | 1 |
| BOLT,6X12 (Ref # 92150A) | 92150-1868 | 2 |
| CIRCLIP-TYPE-C,22MM (Ref # 480) | 480J2200 | 1 |
| ROLLER,4X4 (Ref # 610) | 610A0404 | 1 |
| ROLLER,4X10 (Ref # 610A) | 610A0410 | 1 |