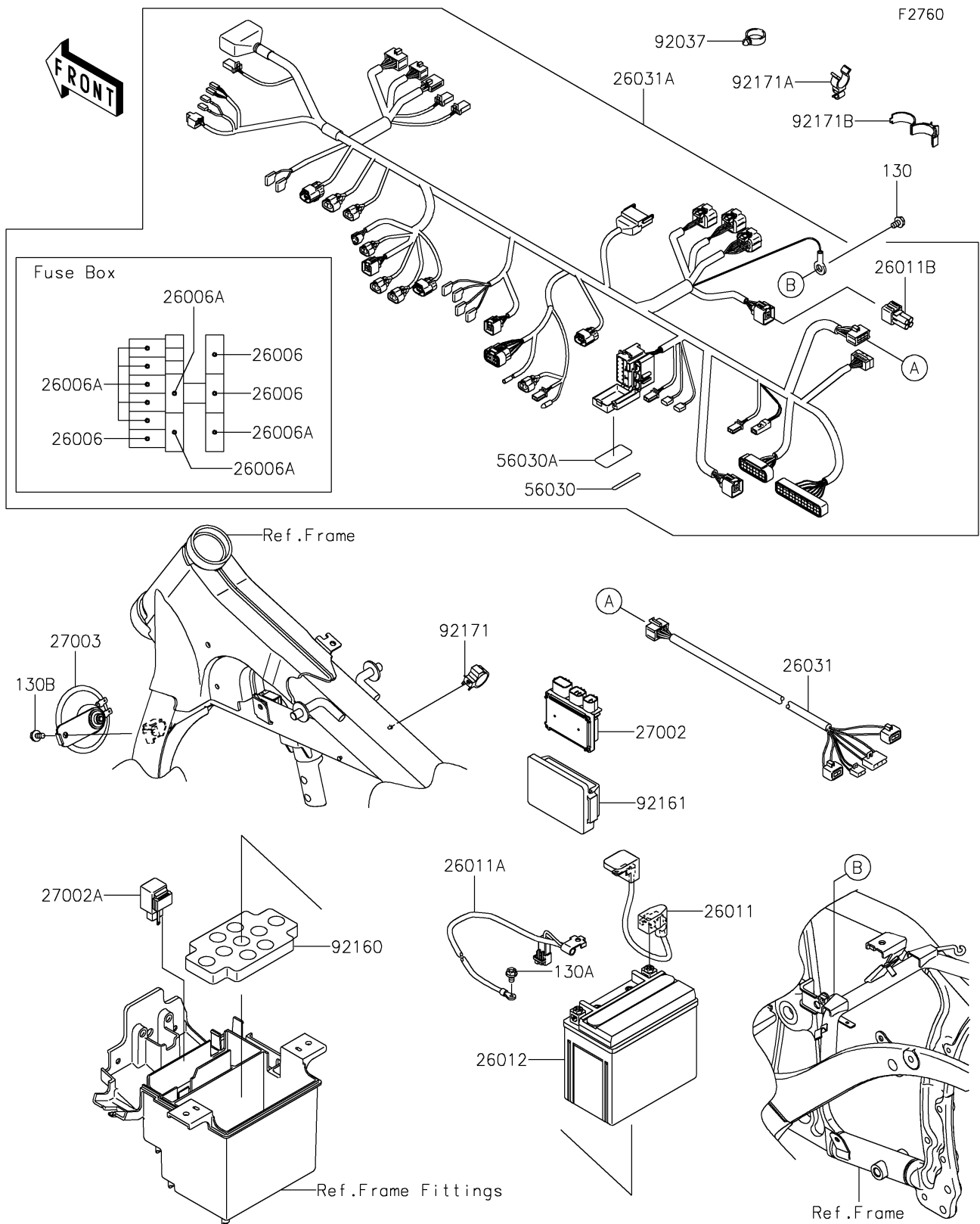


2026 VULCAN® 900 CLASSIC

PARTS DIAGRAM

Chassis Electrical Equipment



2026 VULCAN® 900 CLASSIC

PARTS LIST

Chassis Electrical Equipment

ITEM NAME	PART NUMBER	QUANTITY
-----------	-------------	----------
