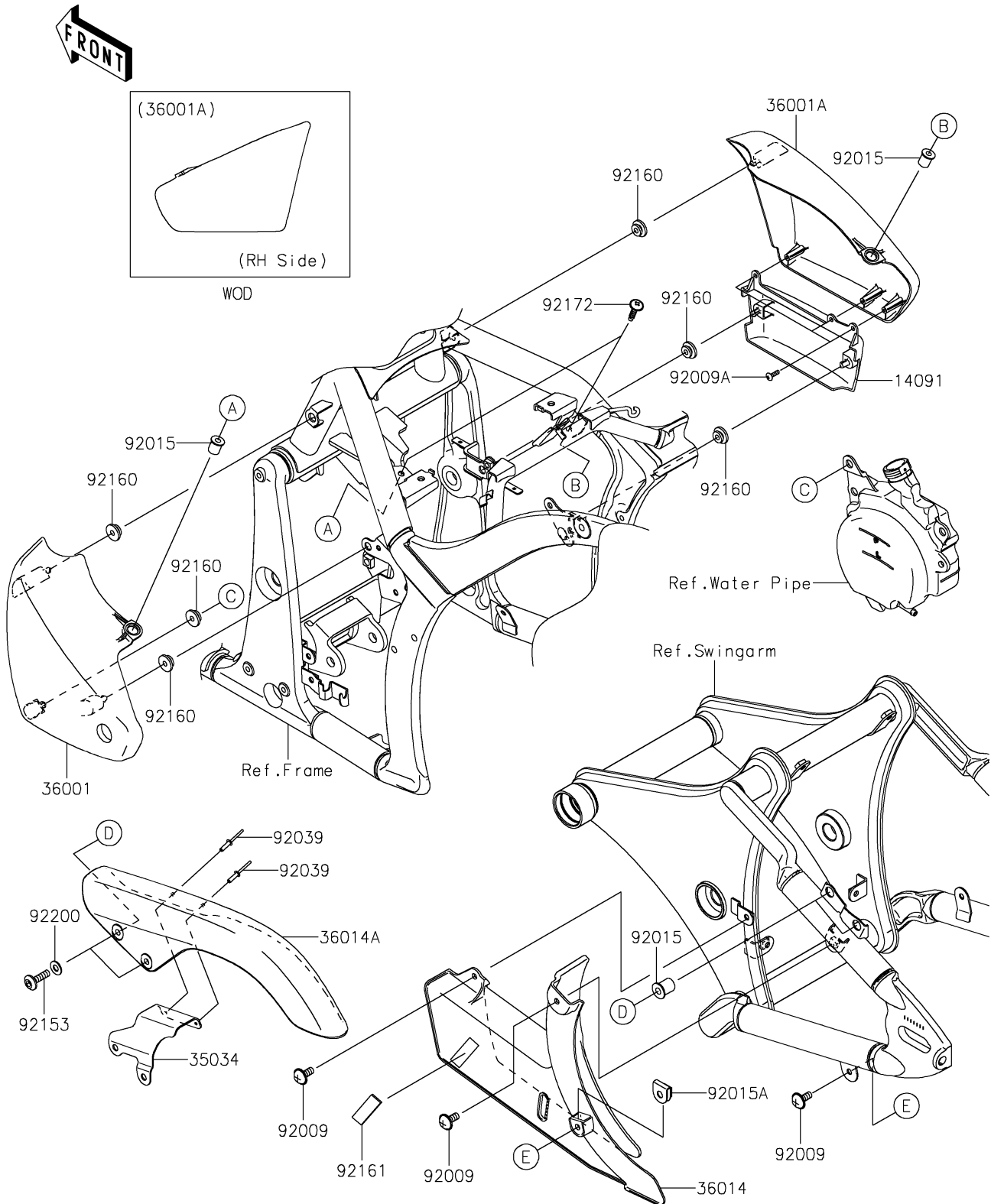


# 2025 Vulcan 900 Classic

## PARTS DIAGRAM

### Side Covers/Chain Cover

F2610



# 2025 Vulcan 900 Classic

## PARTS LIST

### Side Covers/Chain Cover

ITEM NAME	PART NUMBER	QUANTITY
-----------	-------------	----------

---