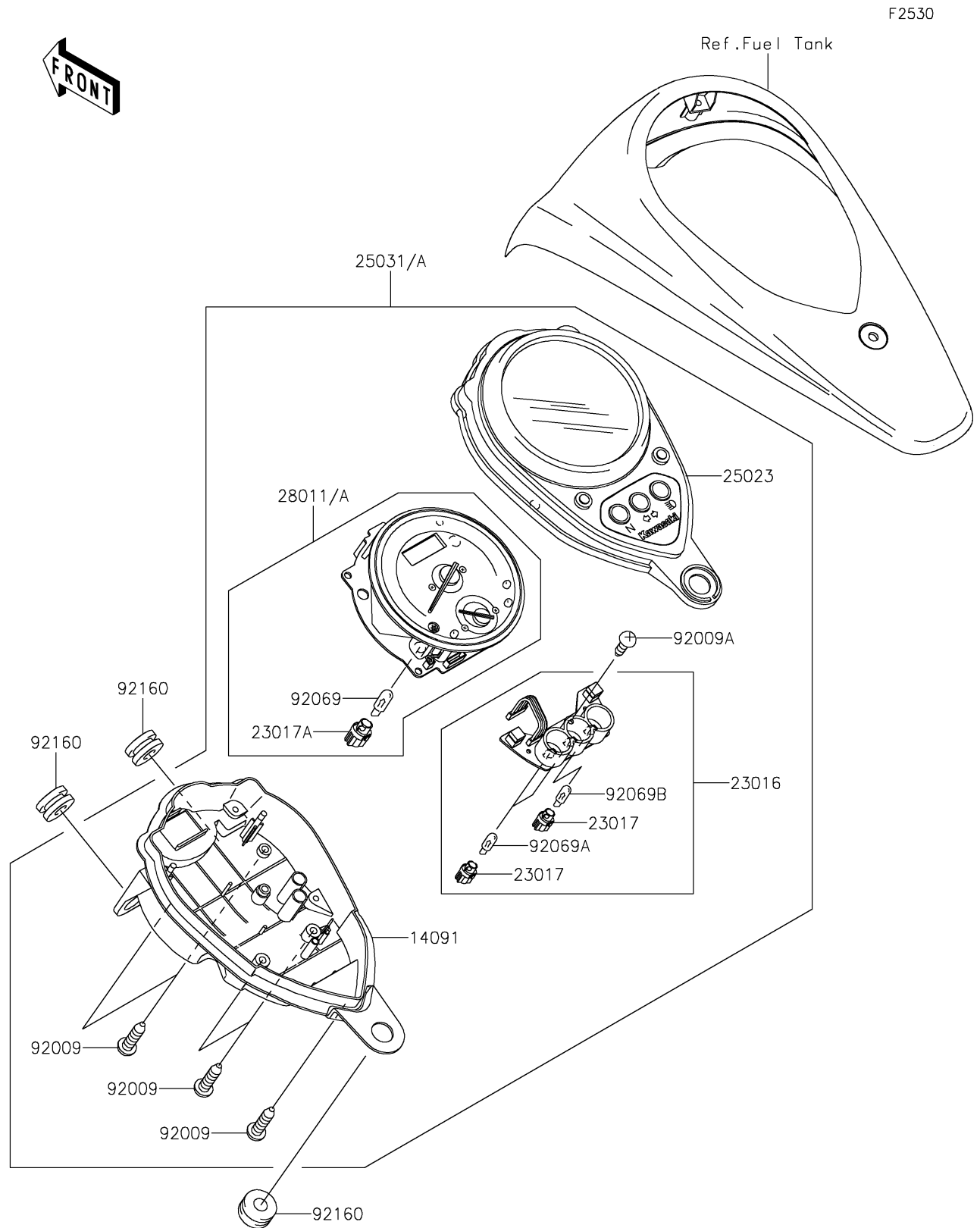


# 2024 Vulcan 900 Classic

## PARTS DIAGRAM

### Meter(s)



# 2024 Vulcan 900 Classic

## PARTS LIST

Meter(s)

**ITEM NAME**

**PART NUMBER**

**QUANTITY**

---