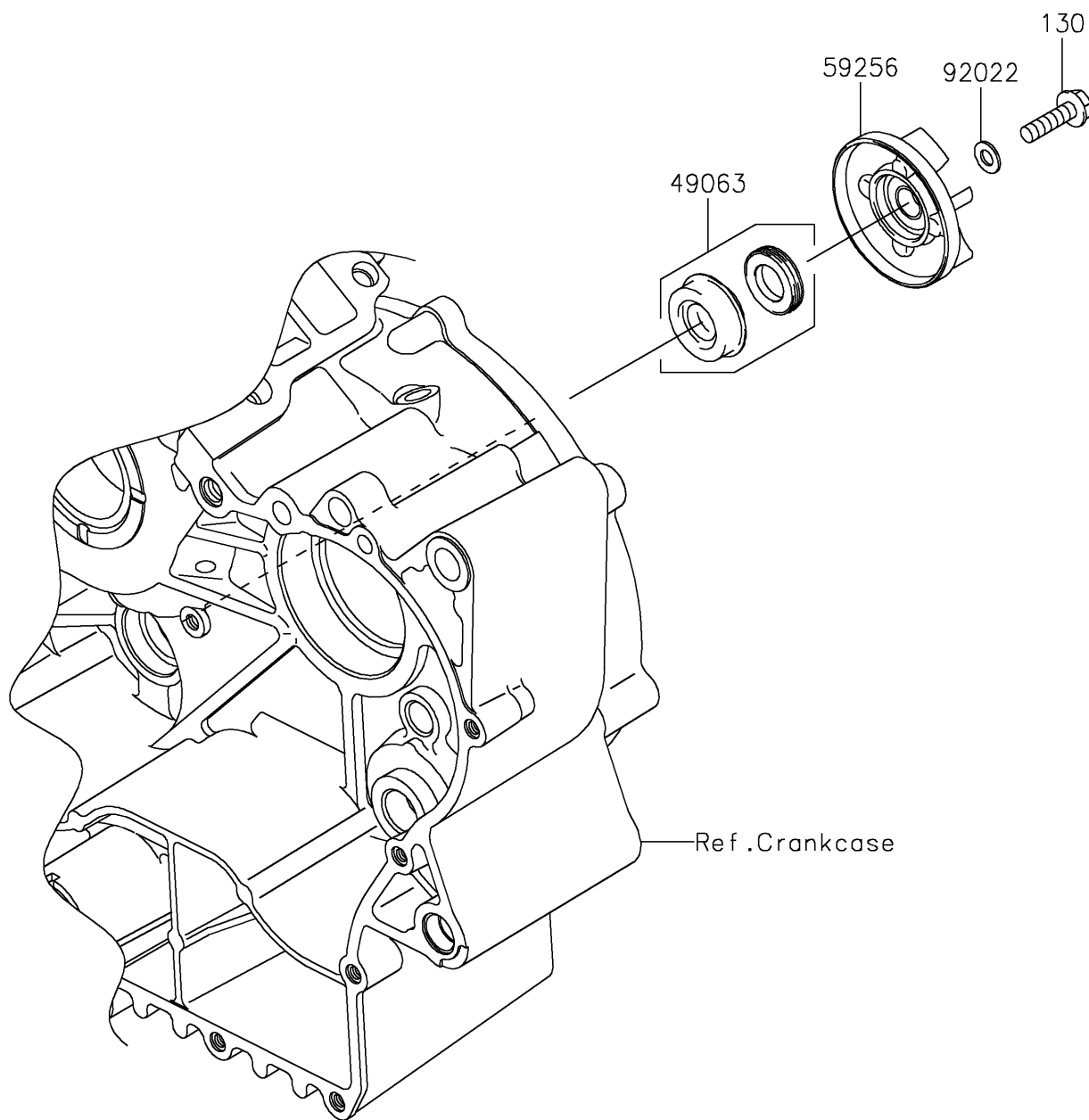


# 2025 Vulcan 900 Classic

## PARTS DIAGRAM

### Water Pump

E3031



# 2025 Vulcan 900 Classic

## PARTS LIST

### Water Pump

| ITEM NAME                     | PART NUMBER | QUANTITY |
|-------------------------------|-------------|----------|
| SEAL-MECHANICAL (Ref # 49063) | 49063-1055  | 1        |
| IMPELLER (Ref # 59256)        | 59256-1073  | 1        |
| WASHER,6.1X12X1 (Ref # 92022) | 92022-077   | 1        |
| BOLT-FLANGED,6X22 (Ref # 130) | 130BA0622   | 1        |