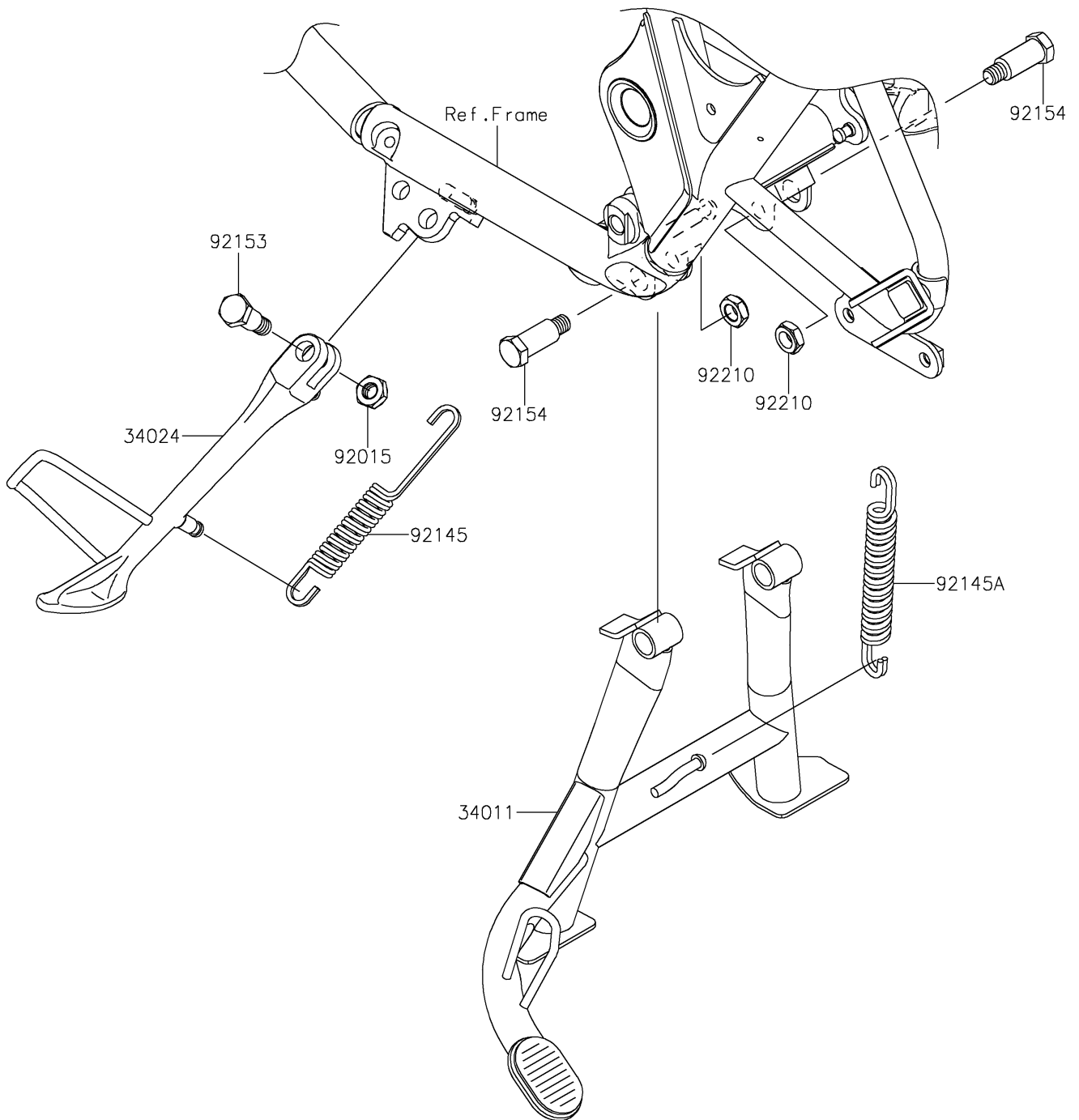


# 2026 W800 ABS

## PARTS DIAGRAM

Stand(s)

F2190



# 2026 W800 ABS

## PARTS LIST

Stand(s)

**ITEM NAME**

**PART NUMBER**

**QUANTITY**

---