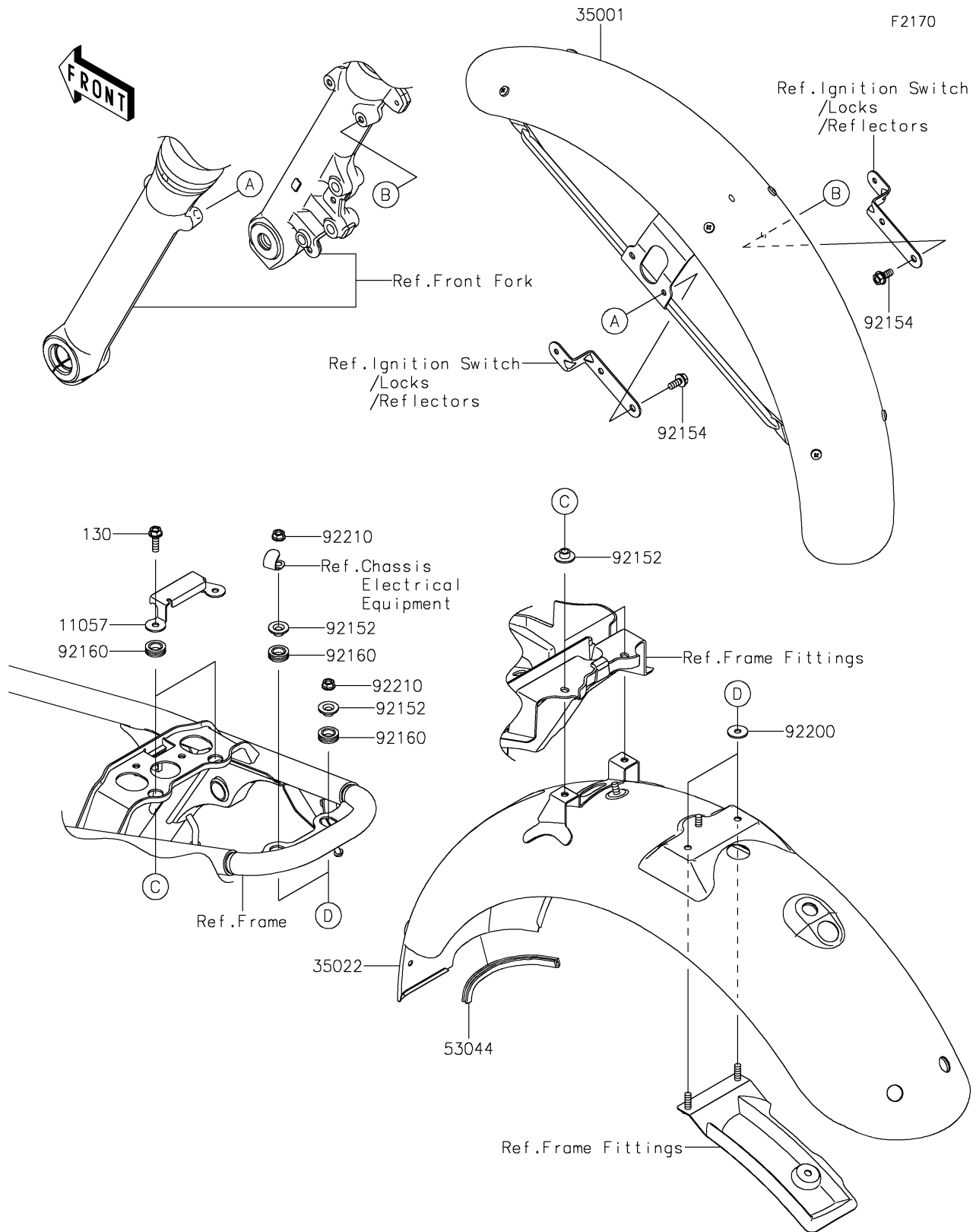


# 2026 W800 ABS

## PARTS DIAGRAM

### Fenders



# 2026 W800 ABS

## PARTS LIST

### Fenders

**ITEM NAME**

**PART NUMBER**

**QUANTITY**

---