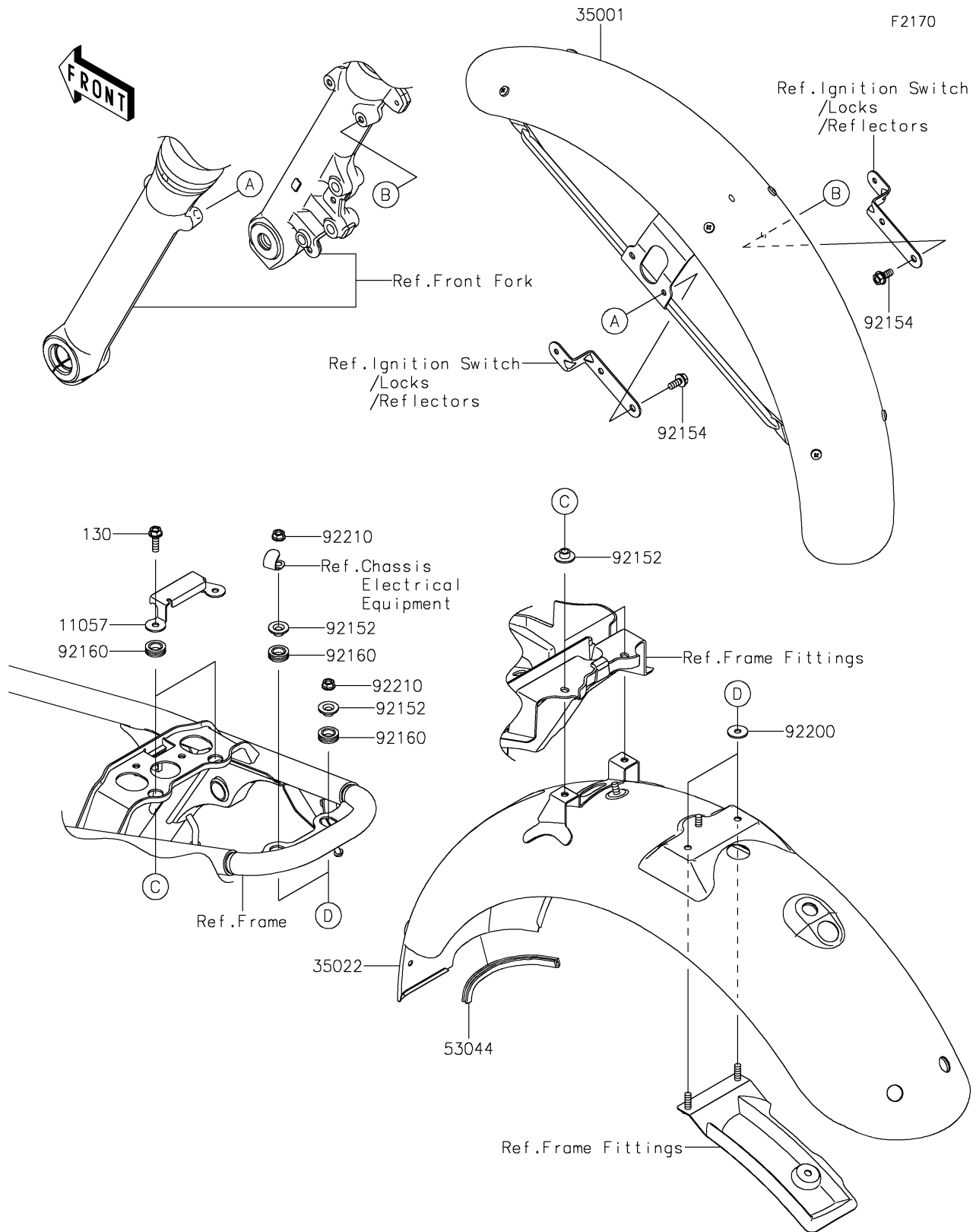


# 2024 W800 ABS

## PARTS DIAGRAM

### Fenders



# 2024 W800 ABS

## PARTS LIST

### Fenders



ITEM NAME	PART NUMBER	QUANTITY
-----------	-------------	----------

---