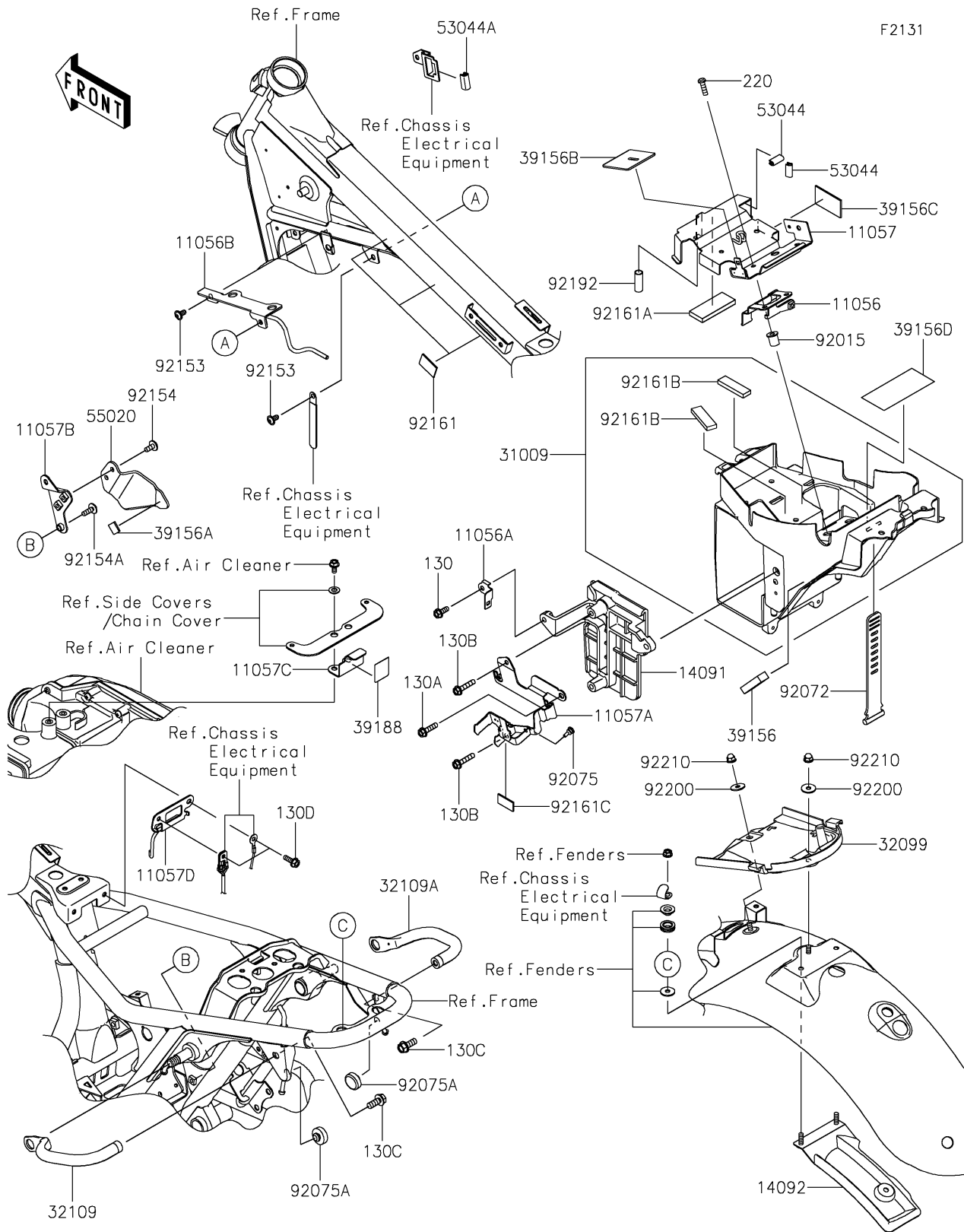


# 2024 W800 ABS

## PARTS DIAGRAM

### Frame Fittings



# 2024 W800 ABS

## PARTS LIST

### Frame Fittings



ITEM NAME	PART NUMBER	QUANTITY
-----------	-------------	----------

---