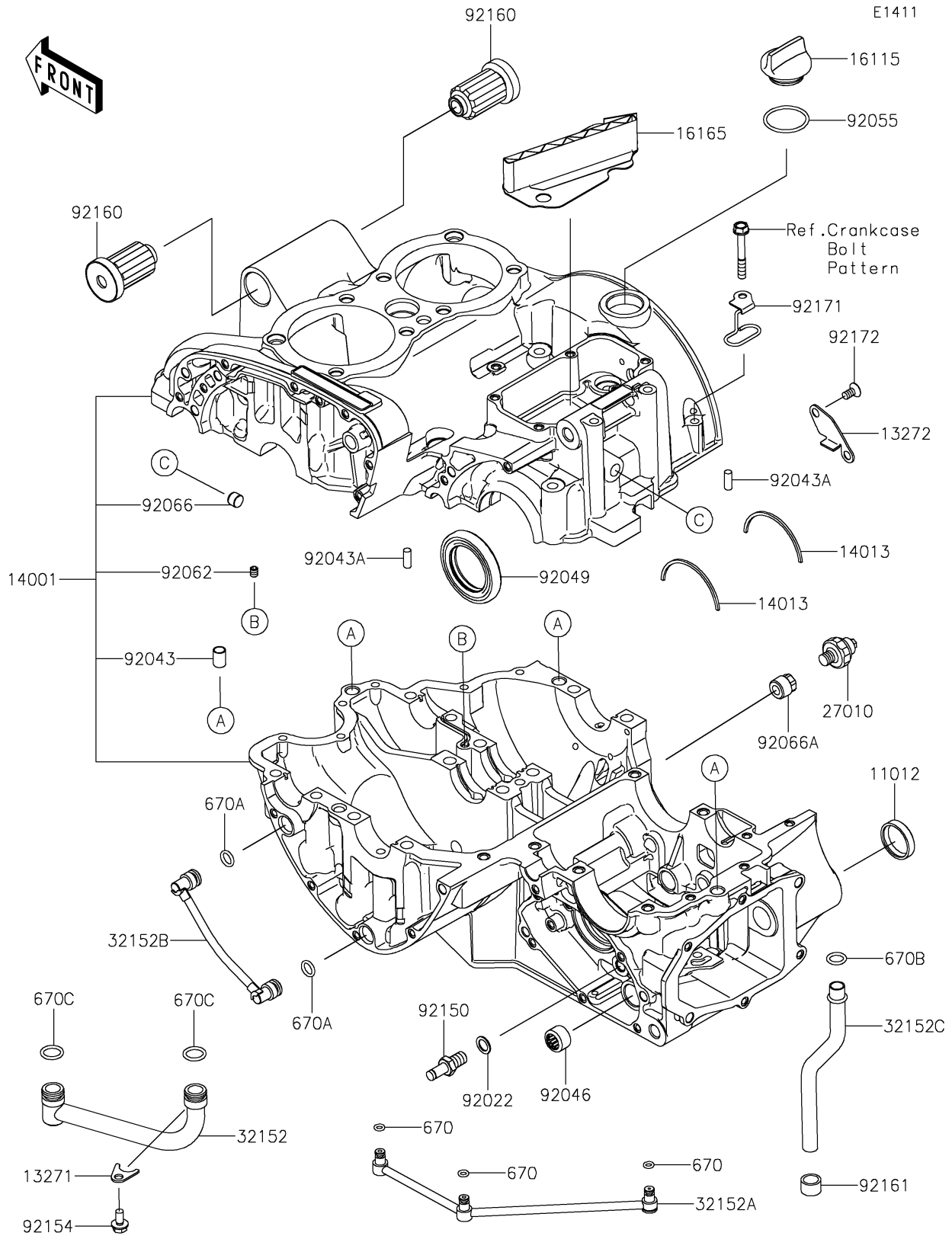


# 2026 W800 ABS

## PARTS DIAGRAM

### Crankcase



# 2026 W800 ABS

## PARTS LIST

### Crankcase

**Kawasaki**

Let the Good Times Roll®

**ITEM NAME**

**PART NUMBER**

**QUANTITY**

---