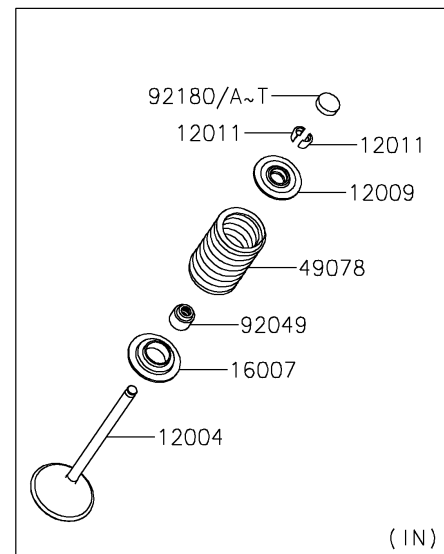
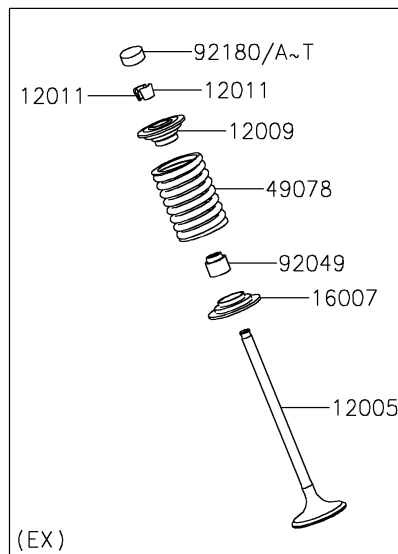
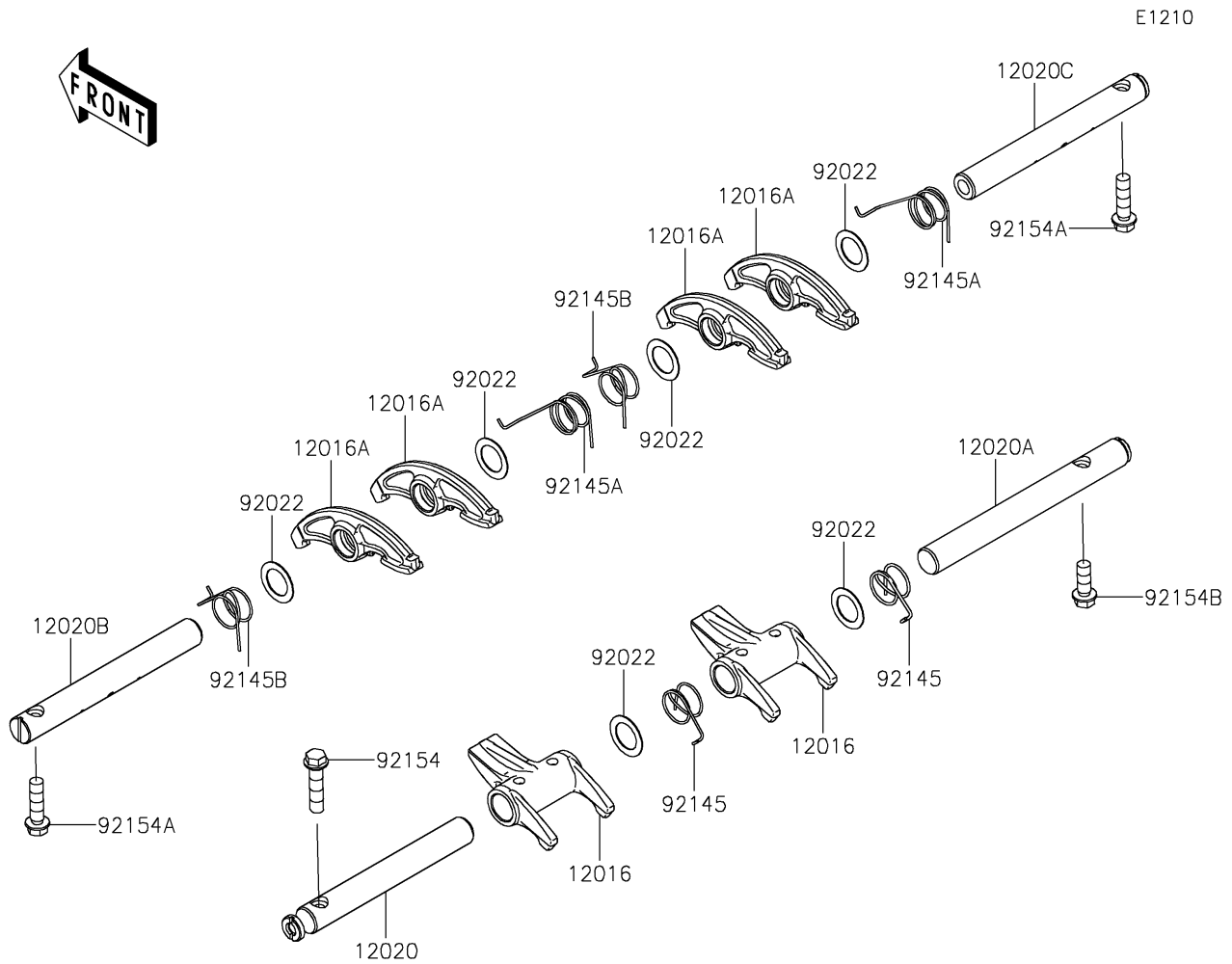


# 2024 W800 ABS

## PARTS DIAGRAM

### Valve(s)



# 2024 W800 ABS

## PARTS LIST

Valve(s)

**ITEM NAME**

**PART NUMBER**

**QUANTITY**

---