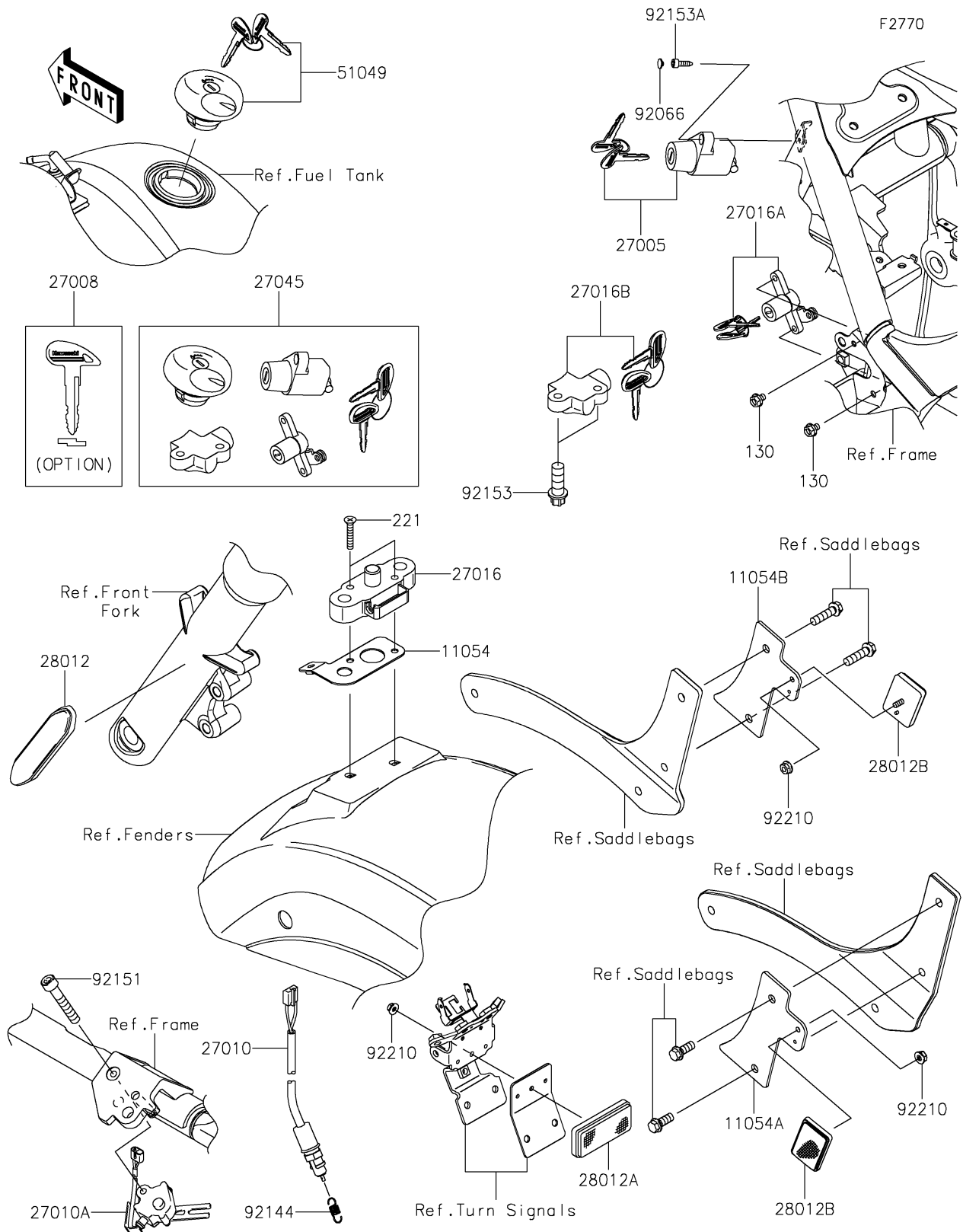


# 2024 VULCAN® 900 CLASSIC LT

## PARTS DIAGRAM

### Ignition Switch/Locks/Reflectors



# 2024 VULCAN<sup>®</sup> 900 CLASSIC LT

## PARTS LIST

### Ignition Switch/Locks/Reflectors

ITEM NAME	PART NUMBER	QUANTITY
-----------	-------------	----------

---