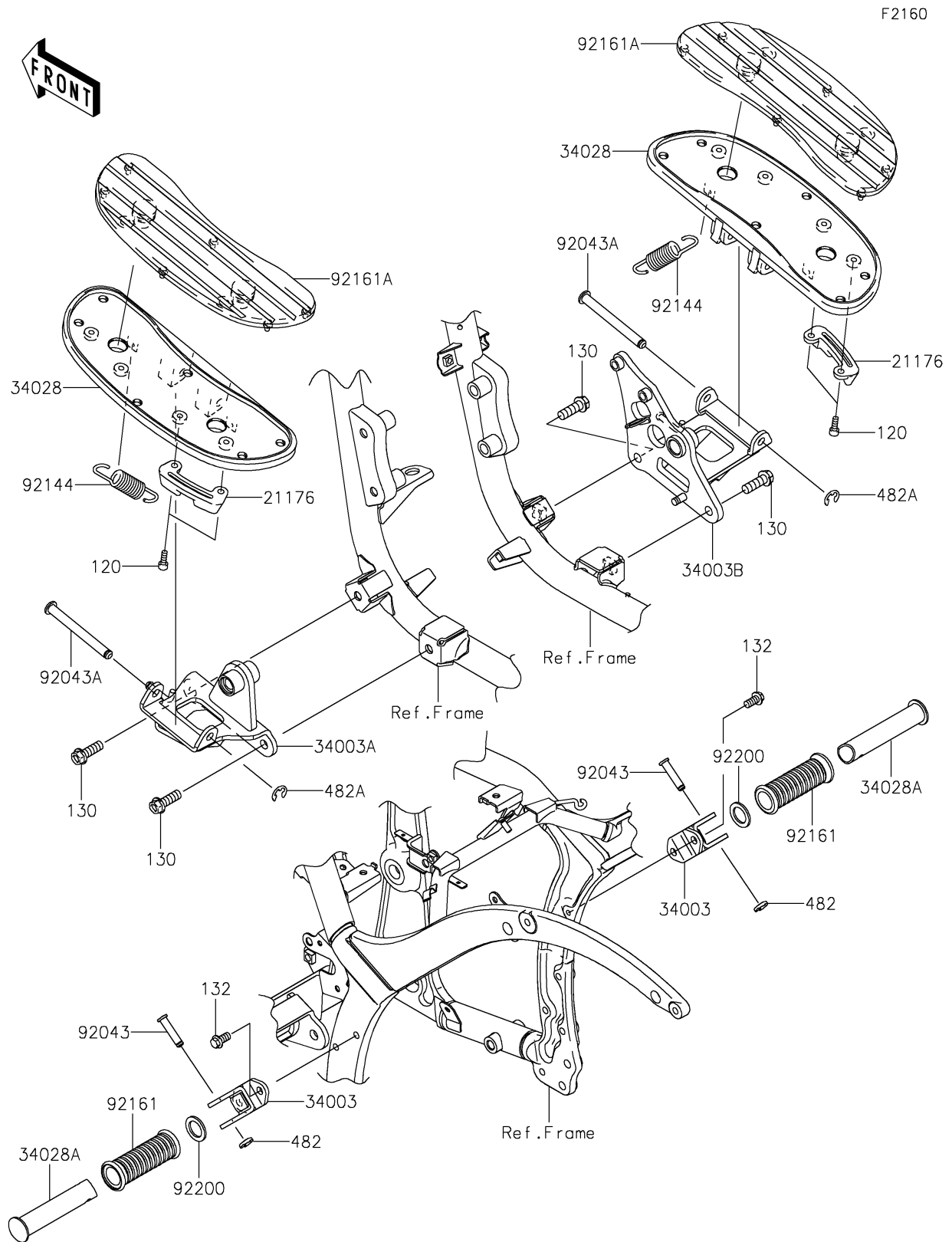


# 2026 VULCAN® 900 CLASSIC LT

## PARTS DIAGRAM

### Footrests



# 2026 VULCAN® 900 CLASSIC LT

## PARTS LIST

### Footrests

| ITEM NAME                              | PART NUMBER    | QUANTITY |
|--|----------------|----------|
| SENSOR,BANK (Ref # 21176)              | 21176-0021     | 2        |
| HOLDER-STEP,RR,F.S.BLACK (Ref # 34003) | 34003-0030-18R | 2        |
| HOLDER-STEP,FR,LH (Ref # 34003A)       | 34003-0039     | 1        |
| HOLDER-STEP,FR,RH (Ref # 34003B)       | 34003-0050     | 1        |
| STEP,FR (Ref # 34028)                  | 34028-0011     | 2        |
| STEP,RR (Ref # 34028A)                 | 34028-0017     | 2        |
| PIN,8X36.5 (Ref # 92043)               | 92043-1339     | 2        |
| PIN,10X98.5 (Ref # 92043A)             | 92043-1707     | 2        |
| SPRING (Ref # 92144)                   | 92144-1266     | 2        |
| DAMPER,STEP (Ref # 92161)              | 92161-0232     | 2        |
| DAMPER,FRONT STEP (Ref # 92161A)       | 92161-1325     | 2        |
| WASHER,22.5X33X2.3 (Ref # 92200)       | 92200-1482     | 2        |
| BOLT-SOCKET,6X16 (Ref # 120)           | 120CB0616      | 4        |
| BOLT-FLANGED,10X30 (Ref # 130)         | 130BB1030      | 4        |
| BOLT-FLANGED-SMALL,8X16 (Ref # 132)    | 132BB0816      | 4        |
| CIRCLIP-TYPE-E (Ref # 482)             | 482EA7000      | 2        |
| CIRCLIP-TYPE-E,8MM (Ref # 482A)        | 482EA8000      | 2        |