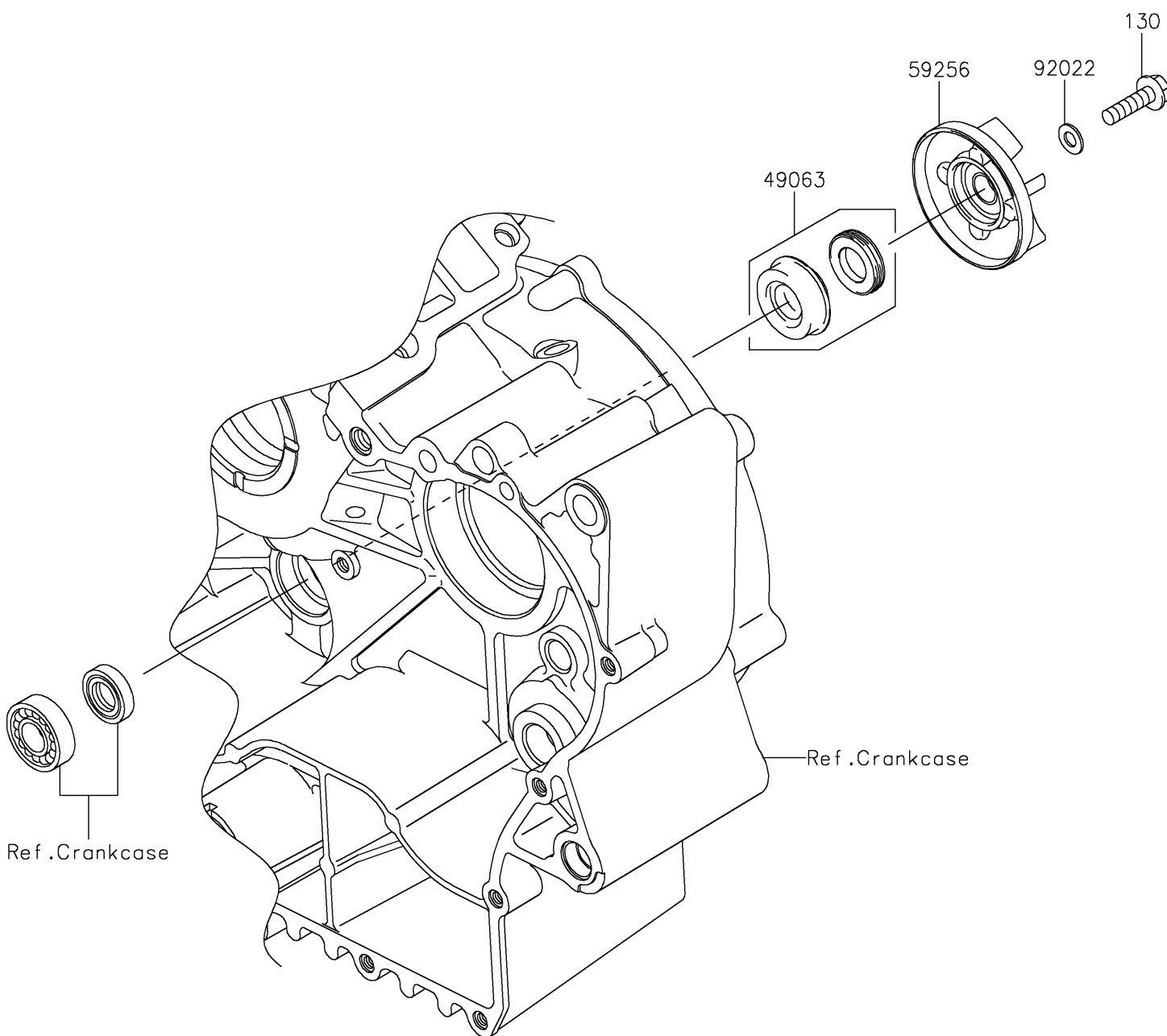


# 2024 VULCAN<sup>®</sup> 900 CLASSIC LT

## PARTS DIAGRAM

### Water Pump

E3031



# 2024 VULCAN® 900 CLASSIC LT

## PARTS LIST

### Water Pump

ITEM NAME	PART NUMBER	QUANTITY
-----------	-------------	----------

---