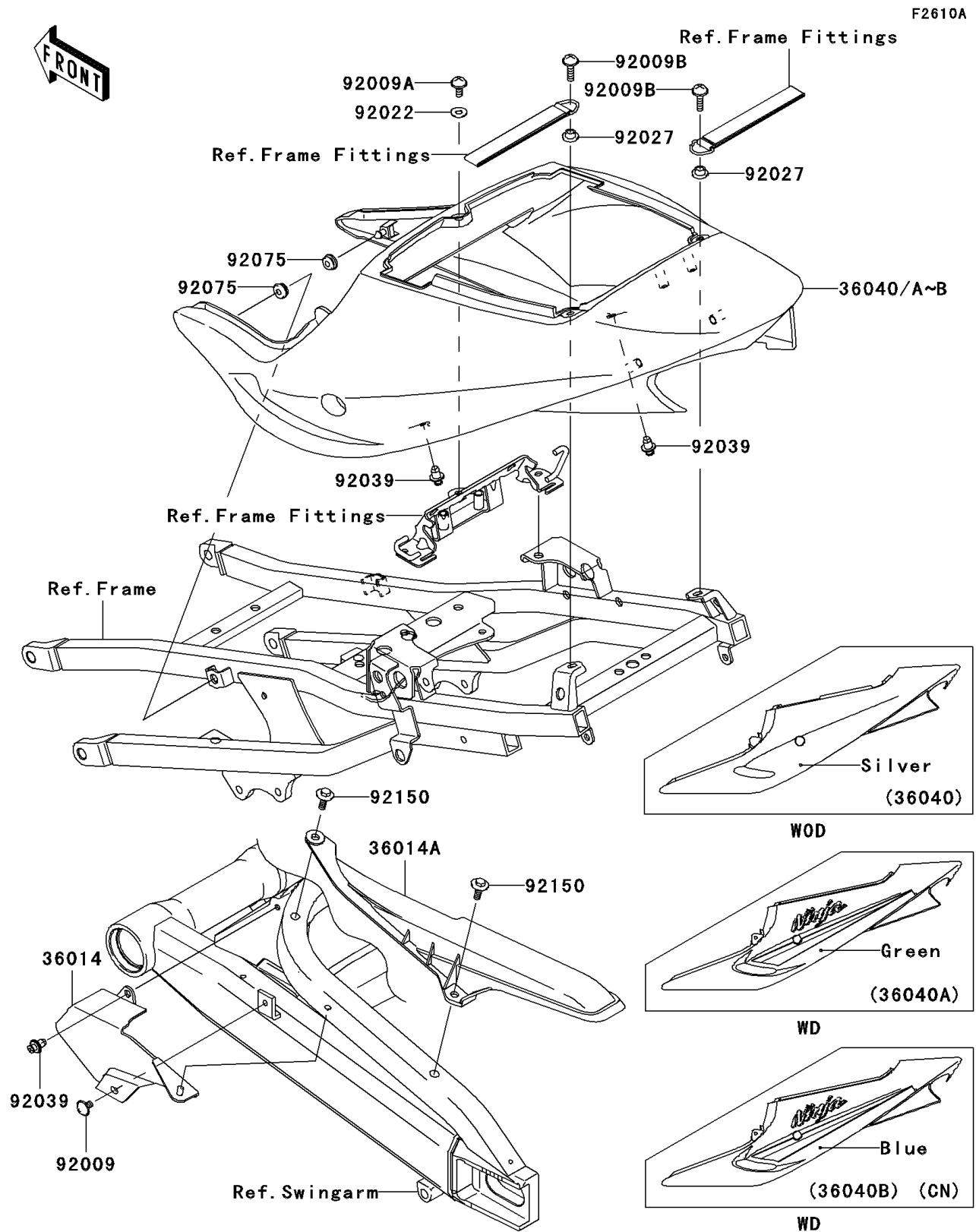


2003 Ninja® ZX™-9R

PARTS DIAGRAM

Side Covers/Chain Cover(ZX900-F2)



2003 Ninja® ZX™-9R

PARTS LIST

Side Covers/Chain Cover(ZX900-F2)

ITEM NAME

PART NUMBER

QUANTITY
