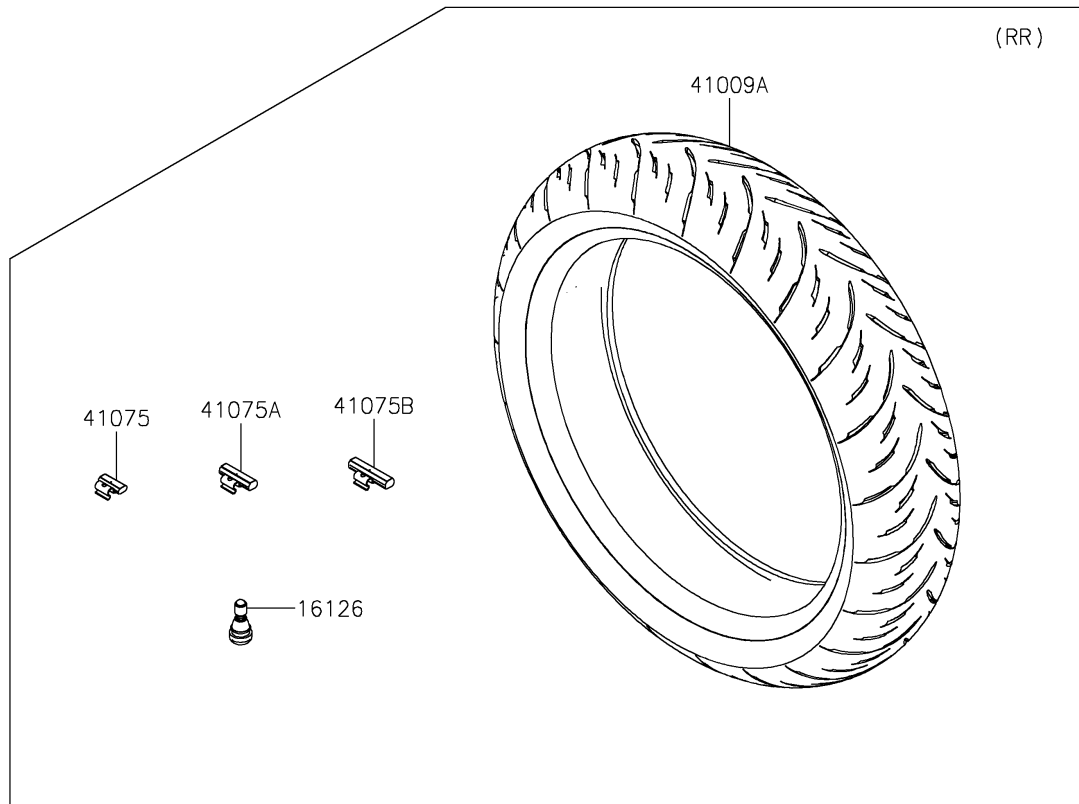
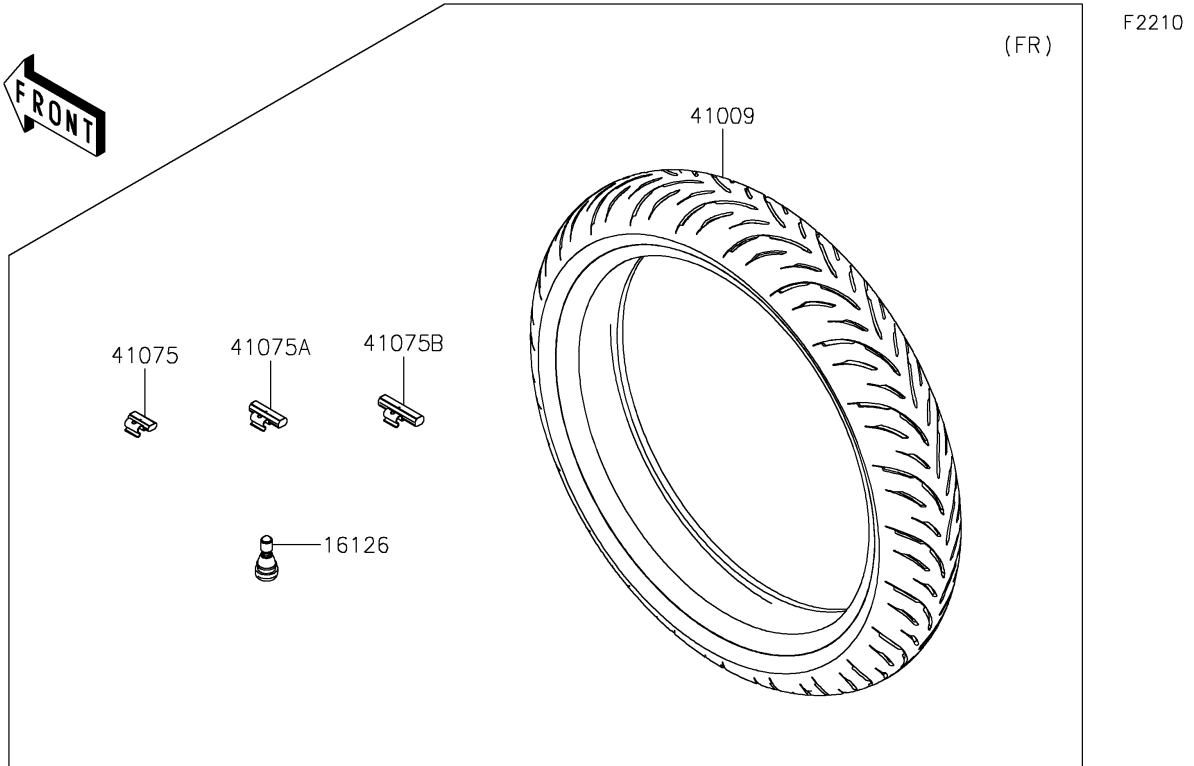


# 2024 Z500 SE ABS

## PARTS DIAGRAM

### Tires



# 2024 Z500 SE ABS

## PARTS LIST

Tires



ITEM NAME	PART NUMBER	QUANTITY
-----------	-------------	----------

---