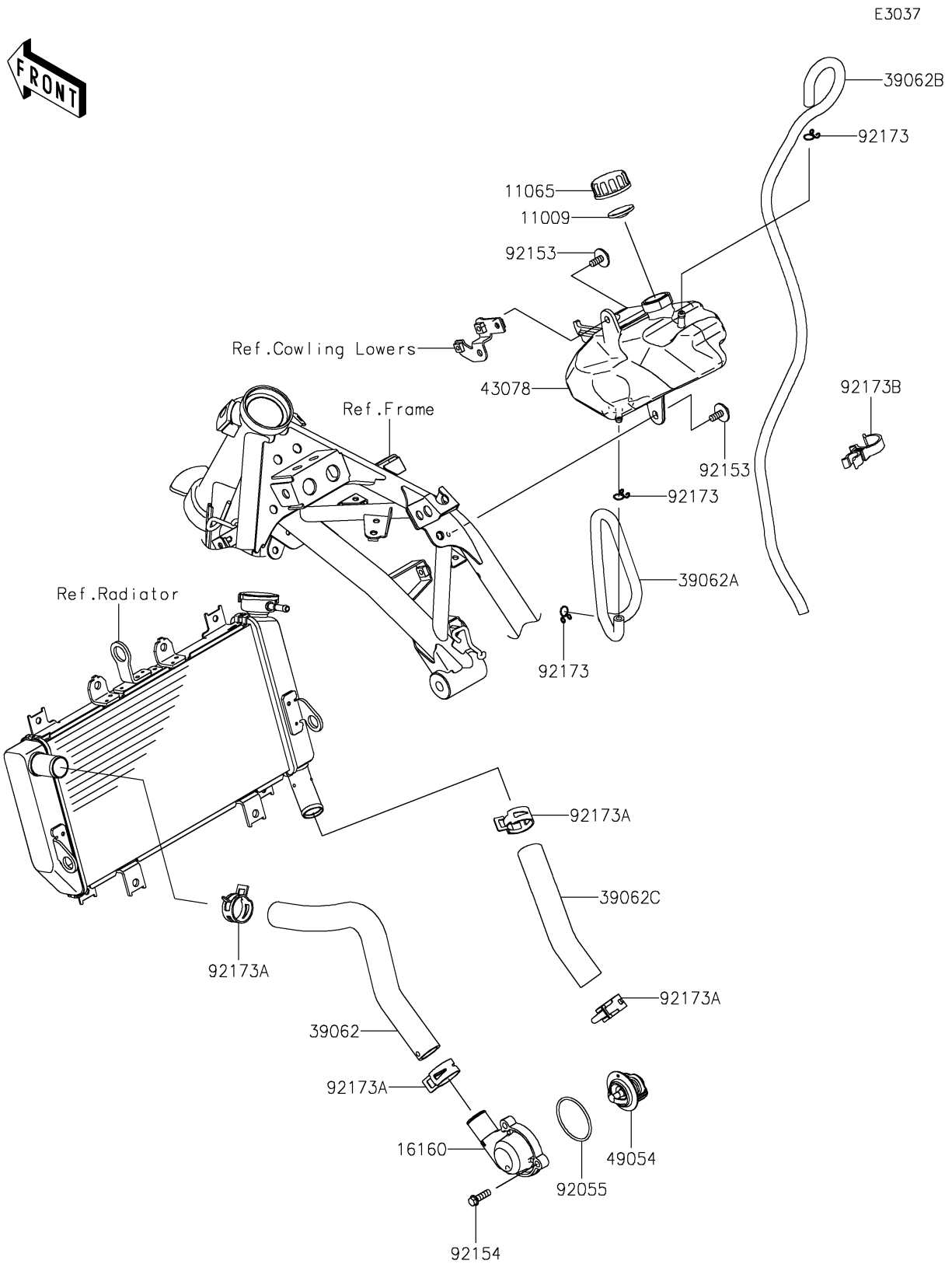


2024 Z500 SE ABS

PARTS DIAGRAM

Water Pipe



2024 Z500 SE ABS

PARTS LIST

Water Pipe

ITEM NAME

PART NUMBER

QUANTITY
