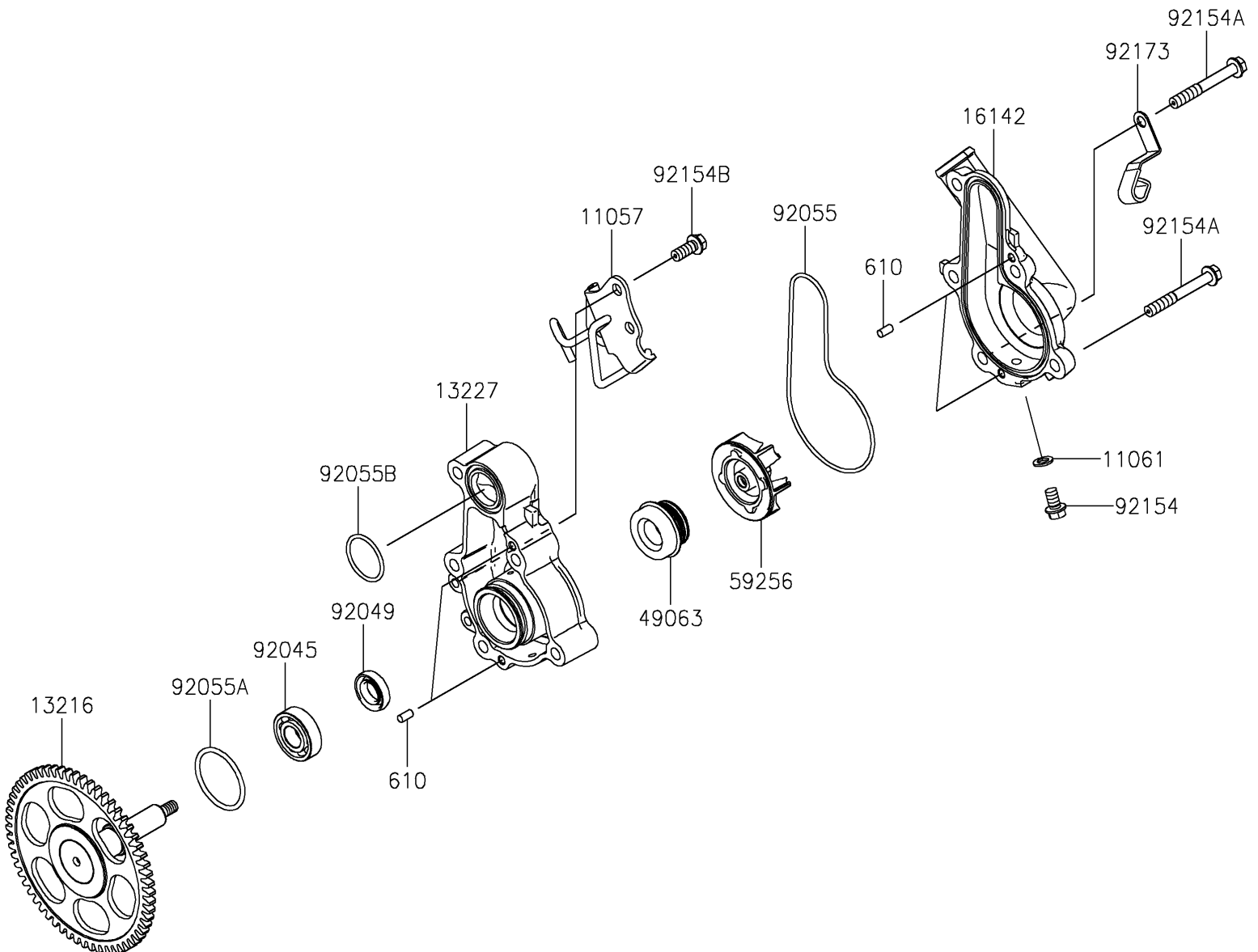


2024 Z500 SE ABS

PARTS DIAGRAM

Water Pump

E3031



2024 Z500 SE ABS

PARTS LIST

Water Pump



ITEM NAME	PART NUMBER	QUANTITY
-----------	-------------	----------
