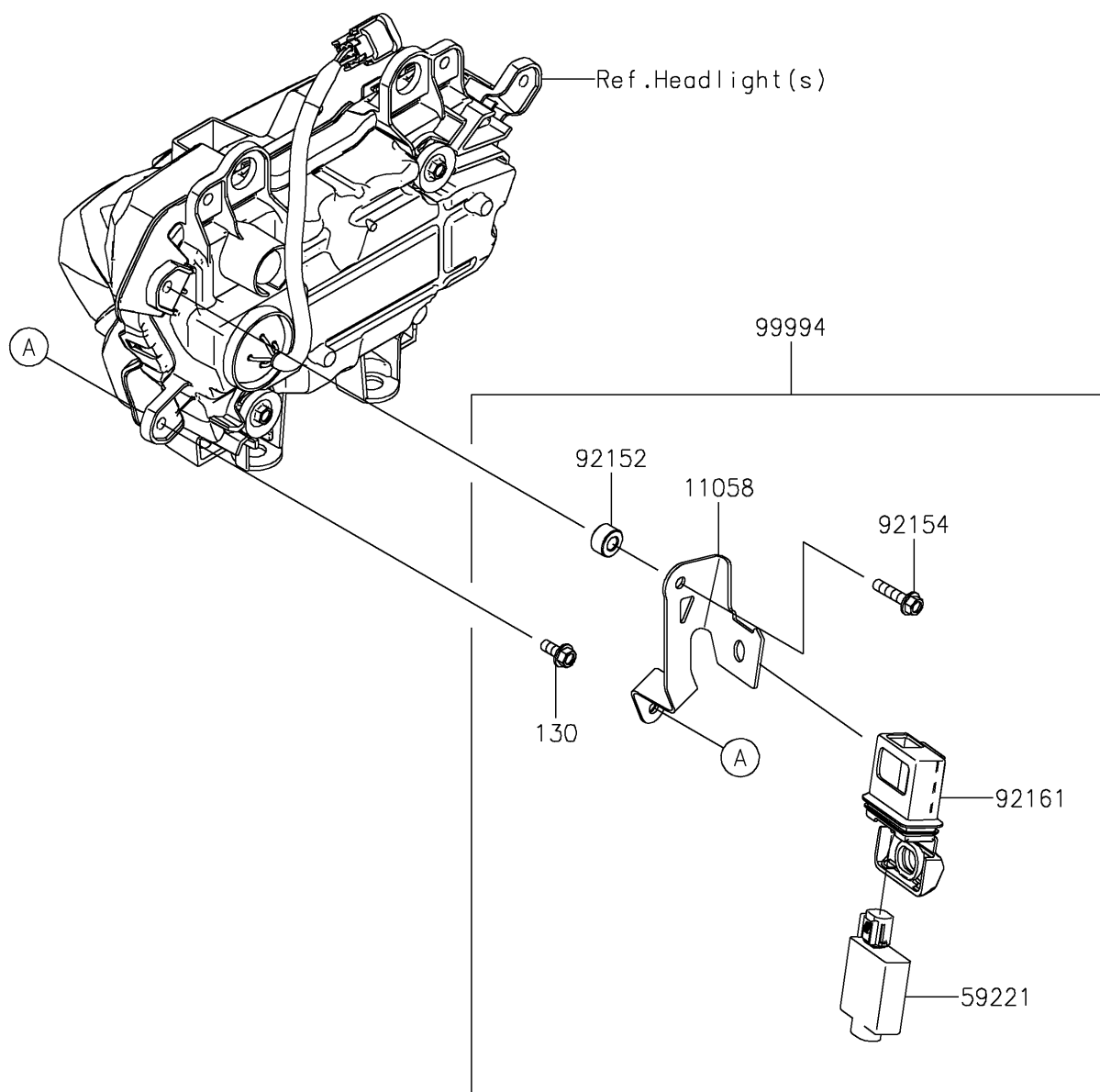


2024 Z500

PARTS DIAGRAM

Accessory(USB Output)

F2910B



2024 Z500

PARTS LIST

Accessory(USB Output)

ITEM NAME	PART NUMBER	QUANTITY
BRACKET,USB (Ref # 11058)	11058-1217	1
CONNECTOR-CORD,USB TYPE-C (Ref # 59221)	59221-0022	1
COLLAR,6.5X14X8 (Ref # 92152)	92152-2352	1
BOLT,FLANGED,5X22 (Ref # 92154)	92154-7259	1
DAMPER (Ref # 92161)	92161-2731	1
USB TYPE-C (Ref # 99994)	99994-2319	1
BOLT-FLANGED,5X12 (Ref # 130)	130BA0512	1