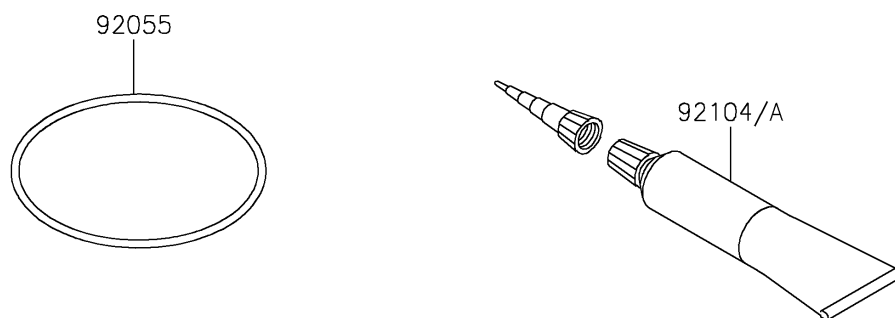
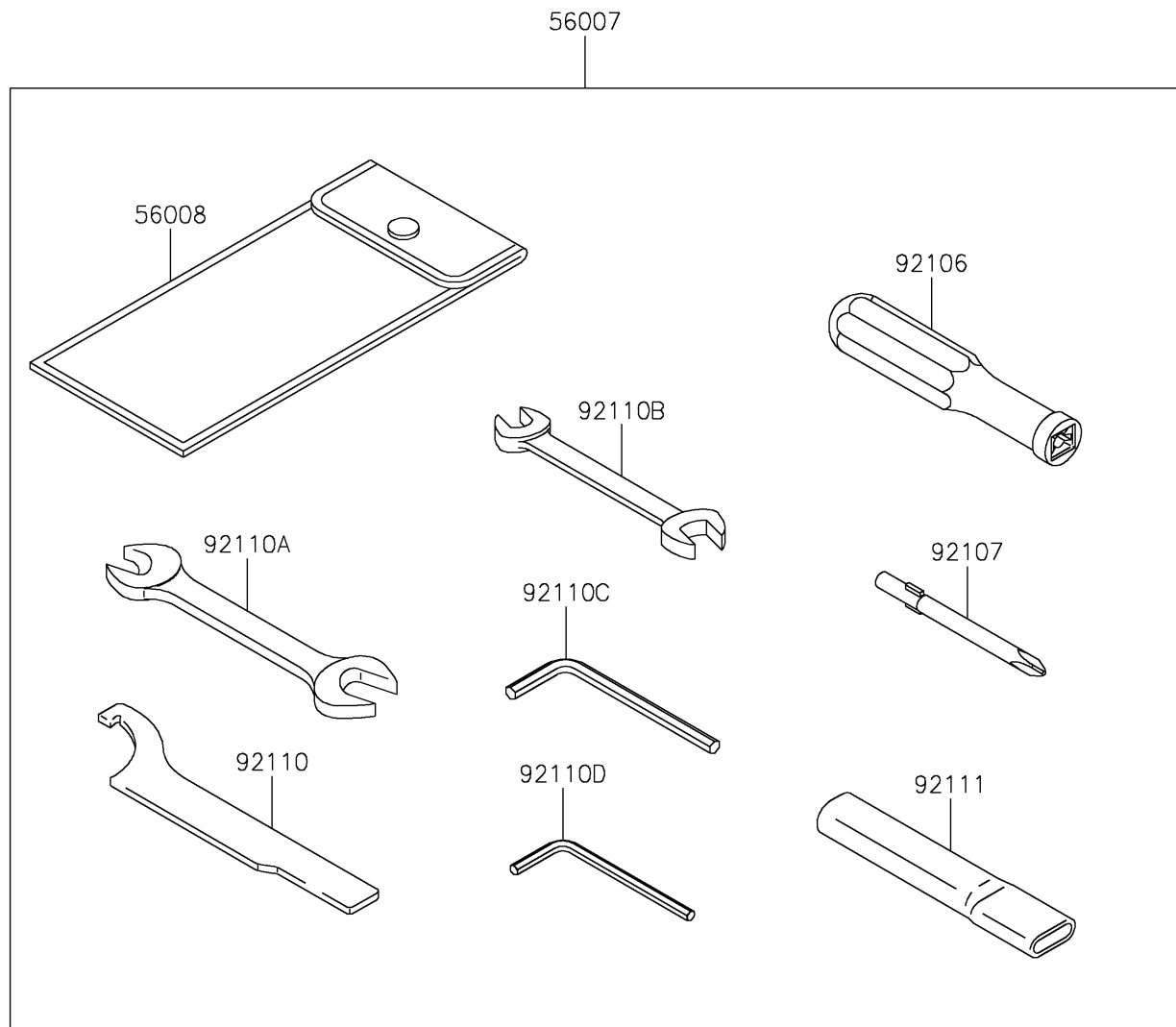


2024 Z500

PARTS DIAGRAM

Owner's Tools

F2810



2024 Z500

PARTS LIST

Owner's Tools



ITEM NAME	PART NUMBER	QUANTITY
-----------	-------------	----------
