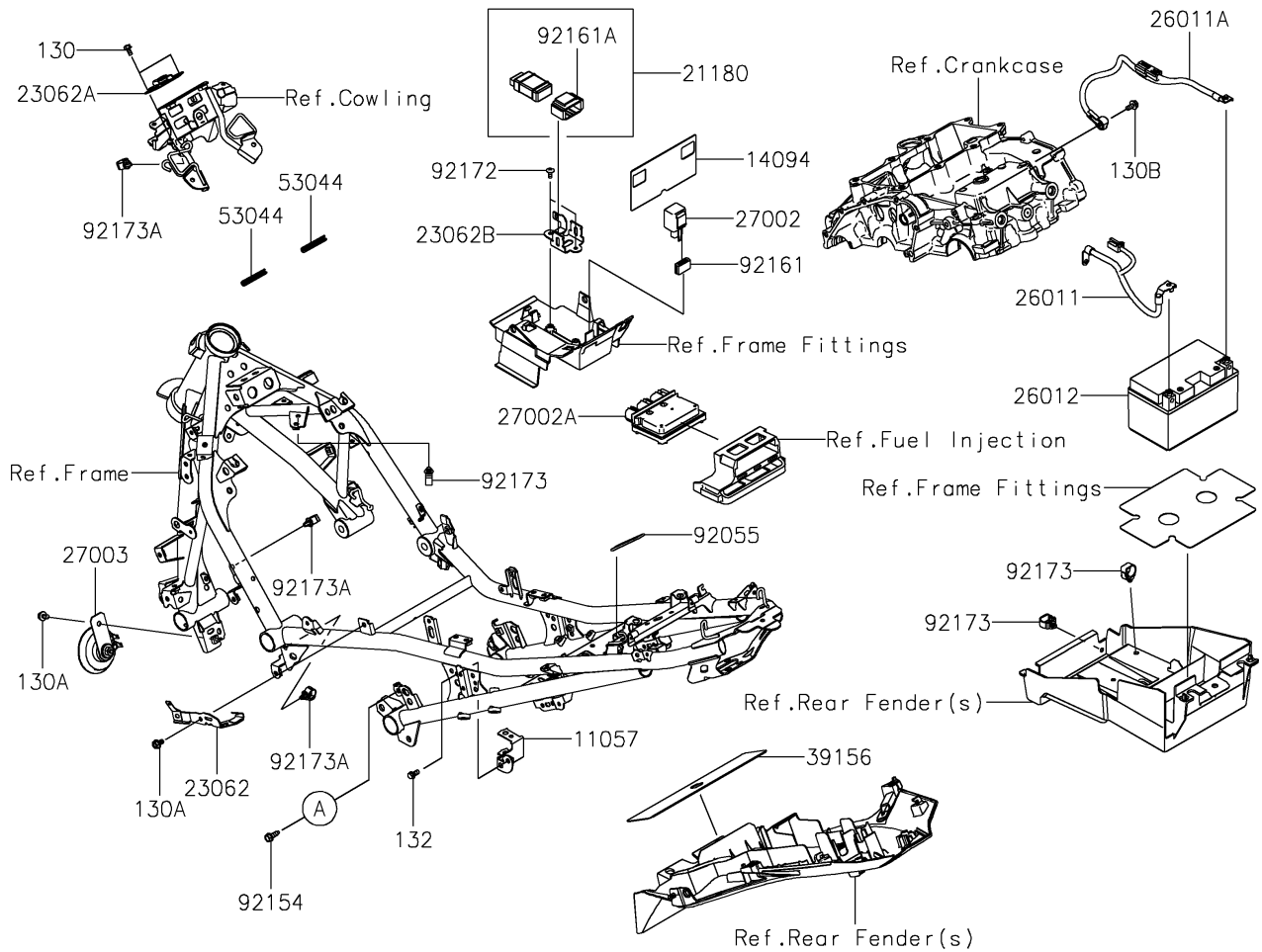
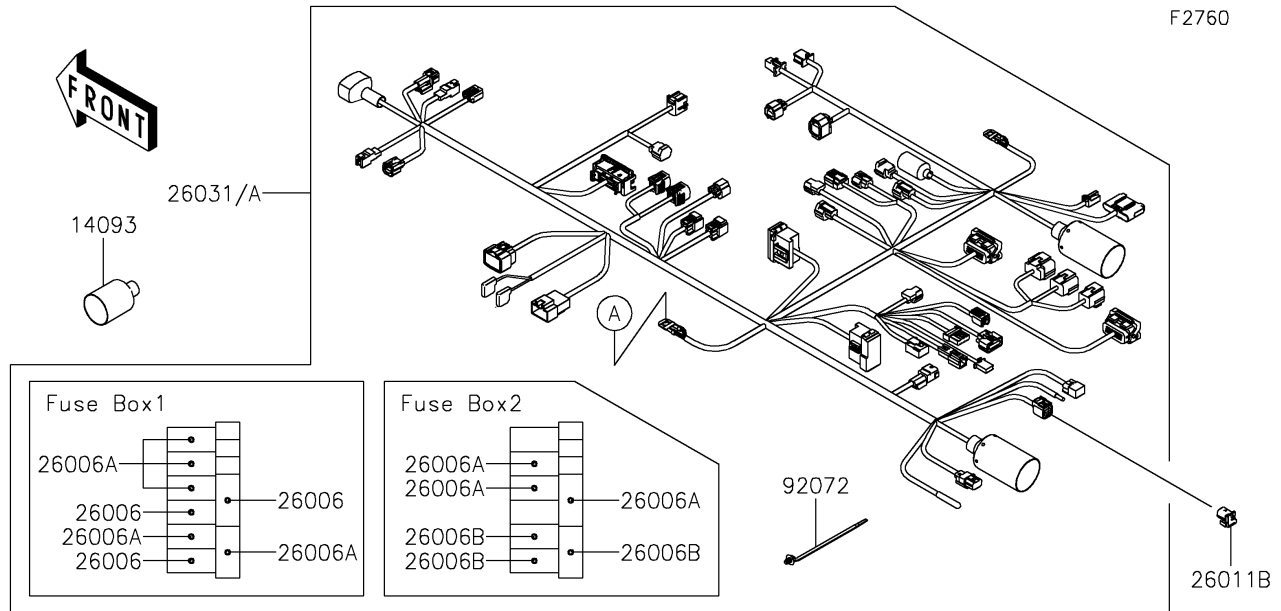


2026 Z500

PARTS DIAGRAM

Chassis Electrical Equipment



2026 Z500

PARTS LIST

Chassis Electrical Equipment

ITEM NAME

PART NUMBER

QUANTITY
