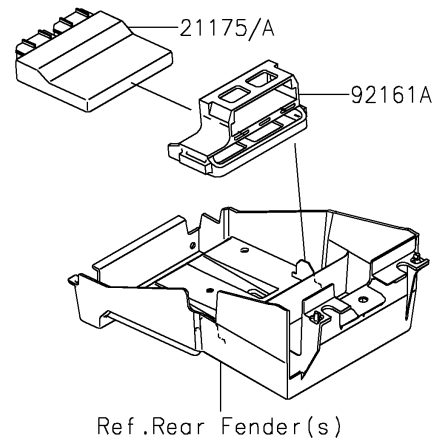
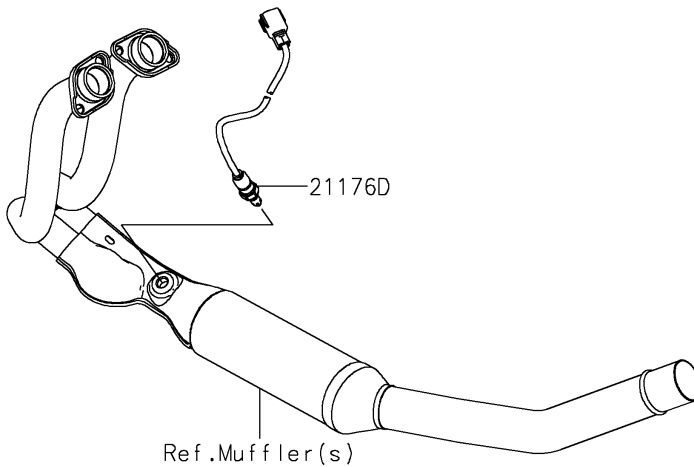
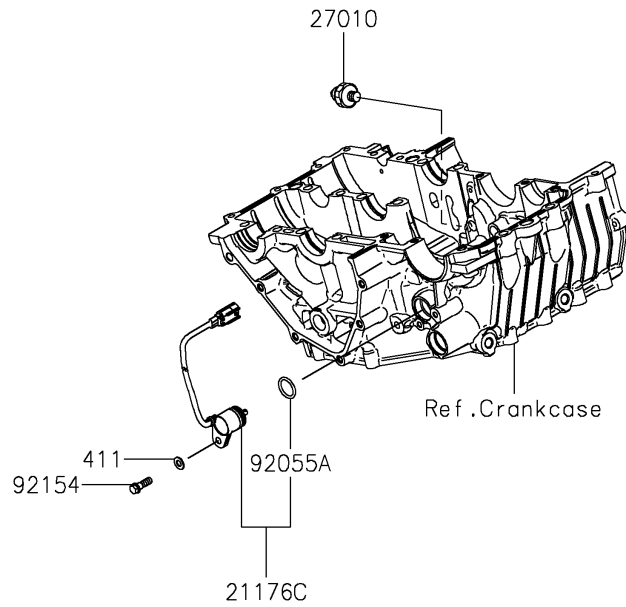
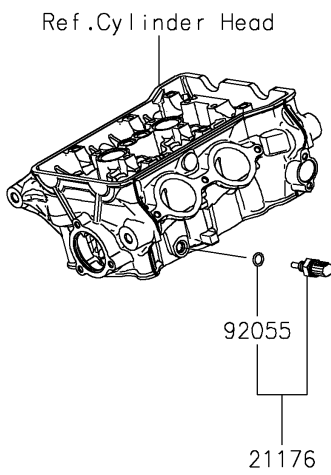
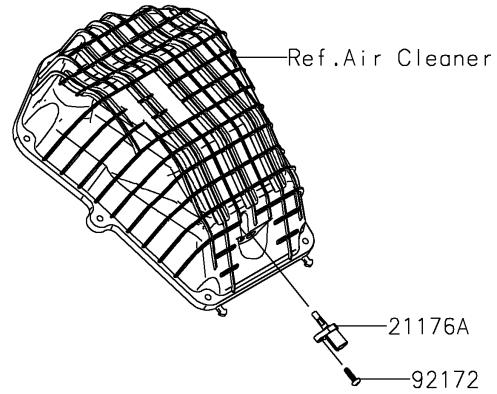
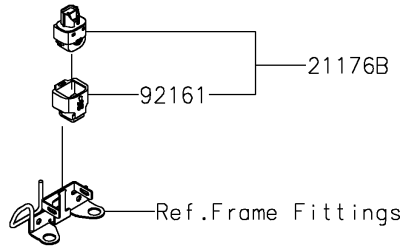


# 2026 Z500

## PARTS DIAGRAM

### Fuel Injection

E1530



# 2026 Z500

## PARTS LIST

### Fuel Injection

ITEM NAME	PART NUMBER	QUANTITY
-----------	-------------	----------

---