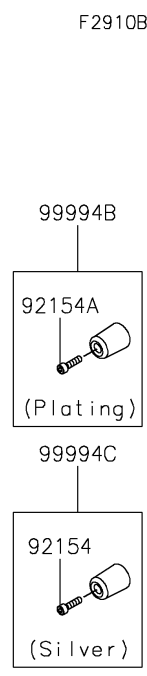
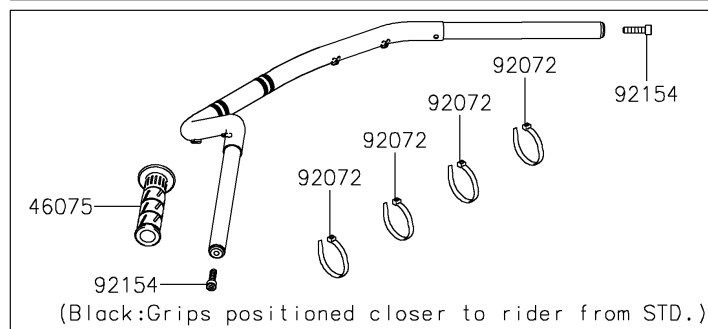
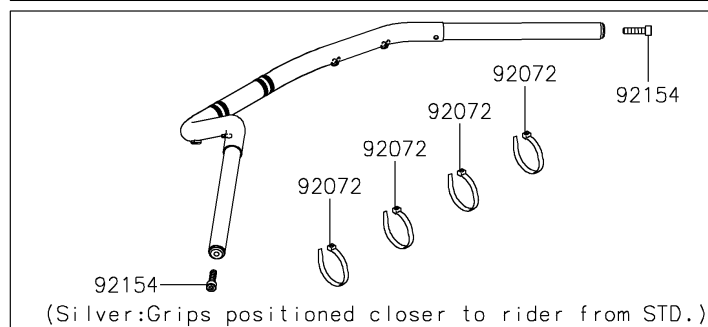
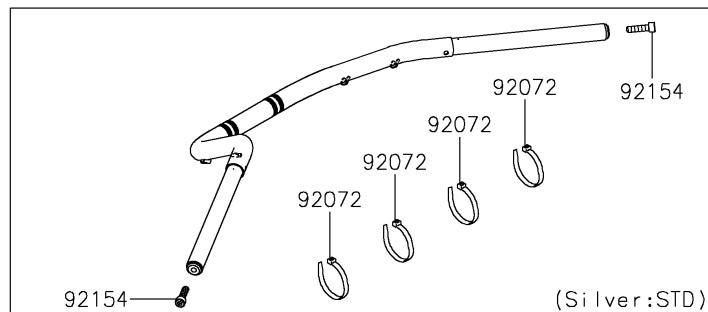
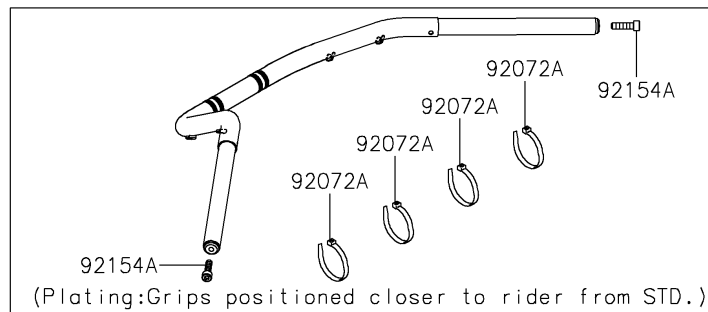
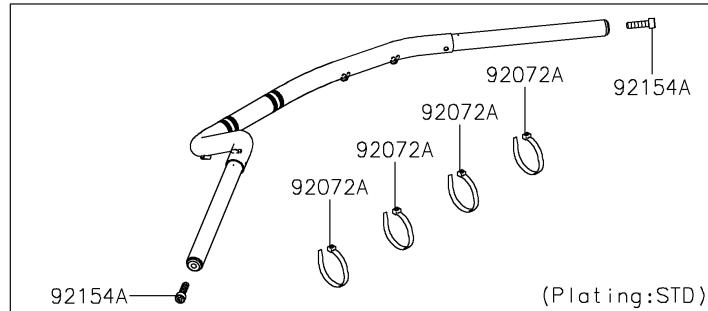


2026 VULCAN® S CAFE ABS

PARTS DIAGRAM

Accessory(Handlebar)



2026 VULCAN[®] S CAFE ABS

PARTS LIST

Accessory(Handlebar)

ITEM NAME

PART NUMBER

QUANTITY
