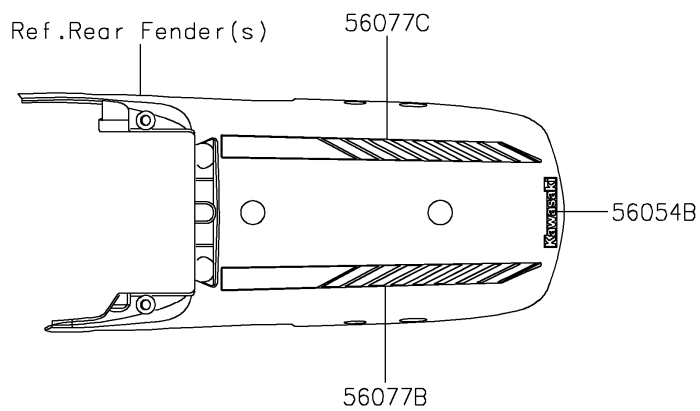
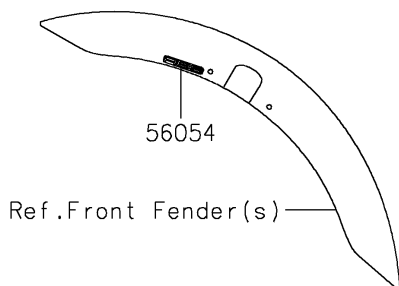
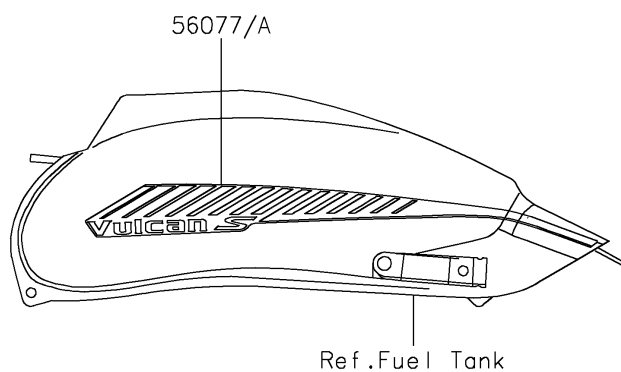
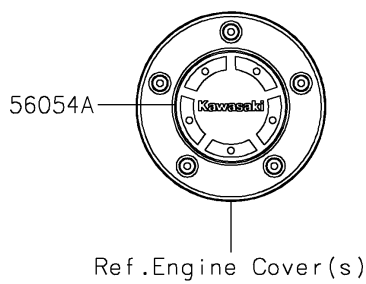


# 2026 VULCAN® S CAFE ABS

## PARTS DIAGRAM

### Decals(ETFNN/ETFNL)

F2861B



# 2026 VULCAN<sup>®</sup> S CAFE ABS

## PARTS LIST

Decals(ETFNN/ETFNL)

**ITEM NAME**

**PART NUMBER**

**QUANTITY**

---