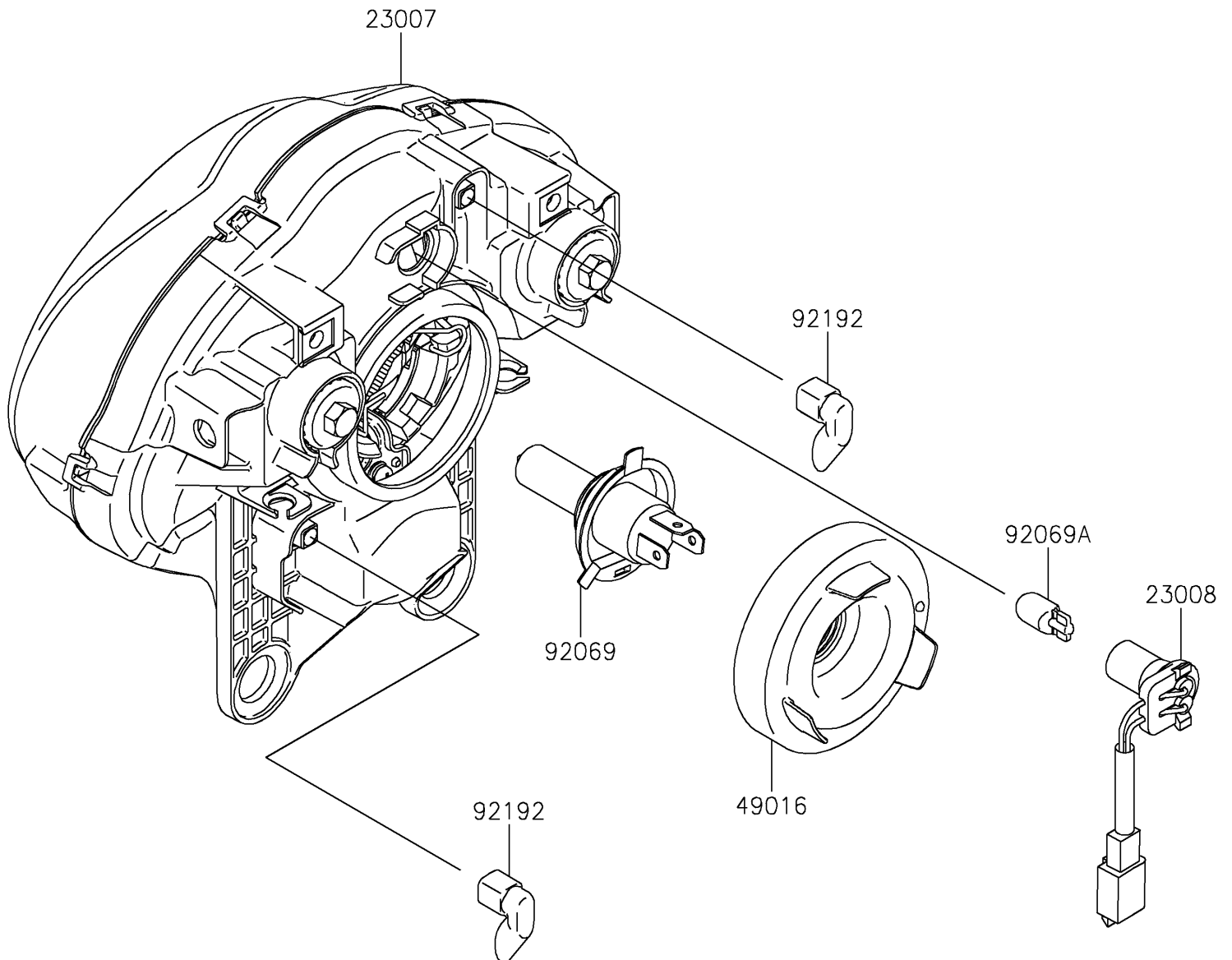


# 2026 VULCAN® S CAFE ABS

## PARTS DIAGRAM

### Headlight(s)

F2710



# 2026 VULCAN<sup>®</sup> S CAFE ABS

## PARTS LIST

Headlight(s)

**ITEM NAME**

**PART NUMBER**

**QUANTITY**

---